

LD4-AV & LD4-AI

True RMS Large Digit Display From:

0-2V, 0-10V, 0-100V or

0-250VAC Input (Model LD4-AV)

or 0-5Amps AC (Model LD4-AI)

Operation and Instruction Manual

Table of Contents

Introduction	3
Mechanical Installation	4
Electrical Installation	5
Power supply connections	6
Relay connections	6
Input Connector	7
Isolated input board	7
Input type selector links	7
Remote input connector	7
Explanation of Functions	8
Function Table	17
Specifications	19
Technical Specifications	19
Options	19
Physical characteristics	19
Guarantee and Service	20
Optional outputs	21

1 Introduction

This manual contains information for the installation and operation of the large digit display model LD4-AV true RMS AC voltage and LD4-AI true RMS AC current monitors.

Model LD4-AV will accept inputs in the range 0-2VAC, 0-10VAC, 0-100VAC or 0-250VAC (isolation transformer used for inputs above 100VAC).

Model LD4-AI will accept a 0-5Amps AC input.

Two standard inbuilt relays, form A, are provided for alarm/control functions. A remote switch input is provided and may be used to perform any one of the following functions:

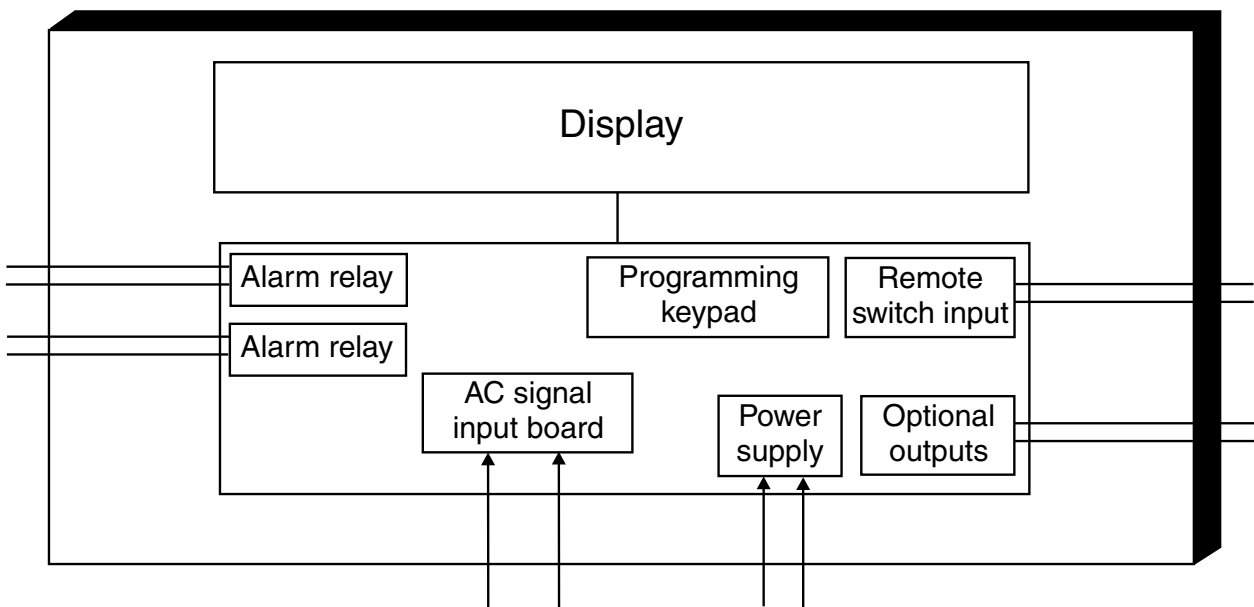
Peak hold, Display hold, Tare, Zero, Peak or Valley memory, Alarm setpoint only access, Security lockout, Alternative scaling display, Remote display brightness level switching.

The alternative display scaling option allows the switching between two different calibration scales and/or displays with different decimal point settings.

Unless otherwise specified at the time of order, your LD4 has been factory set to a standard configuration. Like all other LD4 series instruments the configuration and calibration is easily changed by the user. Initial changes may require dismantling the instrument to alter PCB links, other changes are made by push button functions.

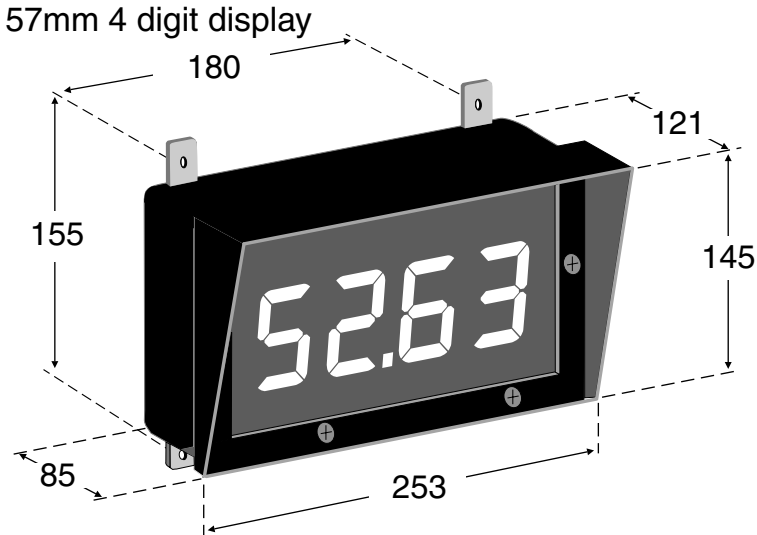
The LD4 series of Large Digit Display Monitors are designed for high reliability in industrial applications. The high brightness LED display provides good visibility, even in areas with high ambient light levels.

LD4-AV inputs & outputs



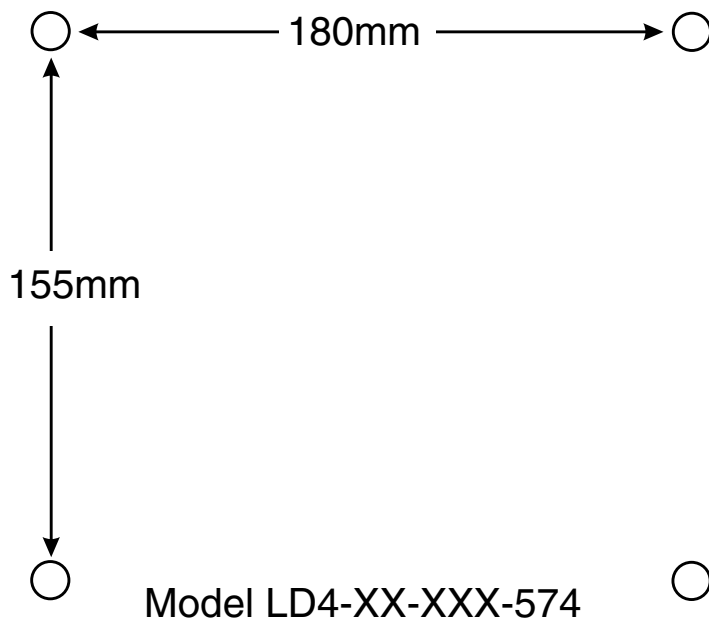
2 Mechanical Installation

The instrument is designed be wall mounted. Carefully measure and drill holes, as shown below. All sizes are in mm.



An optional panel mount kit is available for the 57mm type display. Panel cut out size is 240 x 130mm (-0.0mm/+0.5mm)

Mounting hole centres

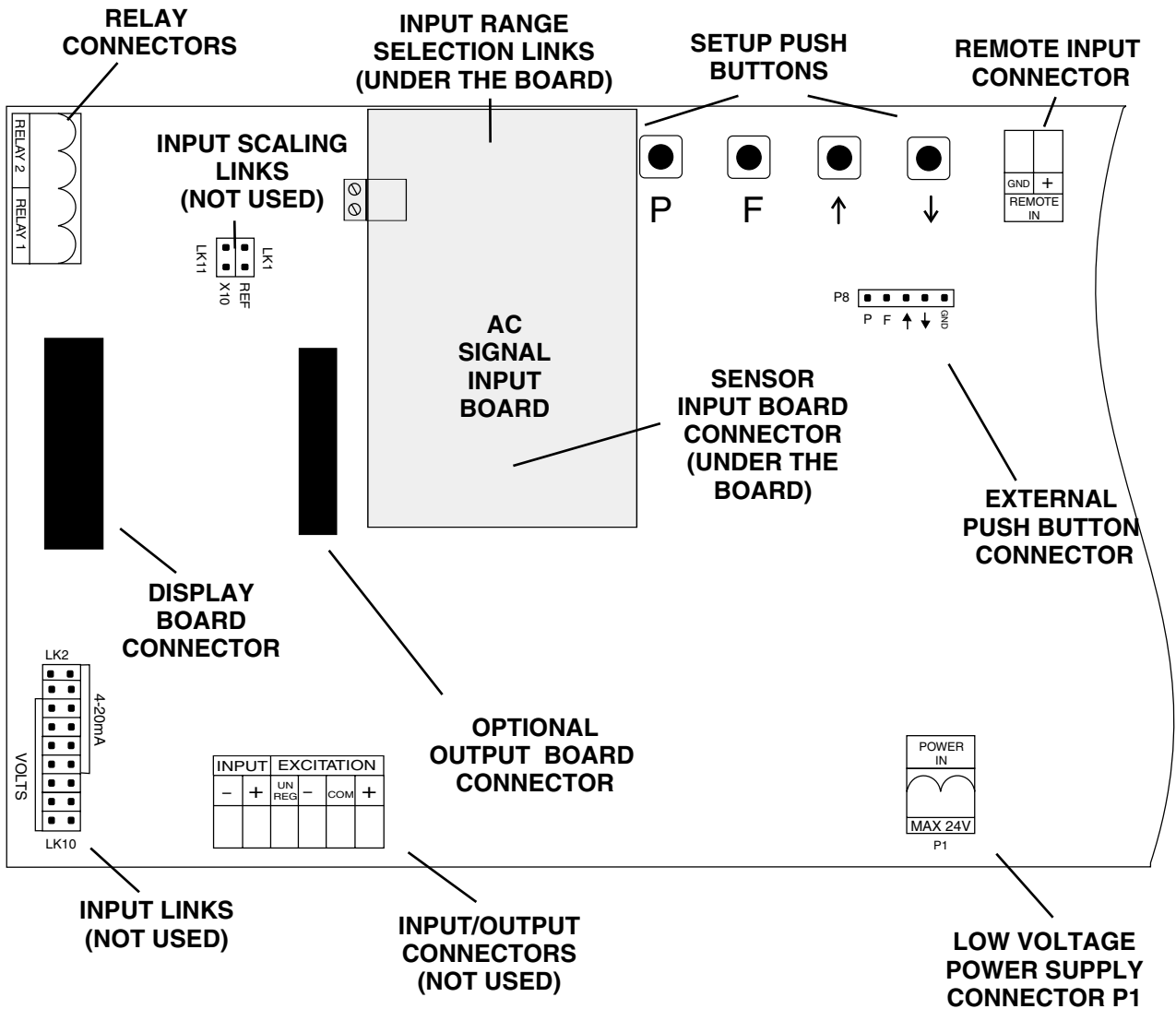


3 Electrical Installation

The LD4 display is designed for continuous operation and no power switch is fitted to the unit. It is recommended that an external switch and fuse be provided to allow the unit to be removed for servicing.

The terminal blocks, which are the plug in type for ease of installation, allow for wires of up to 2.5mm² to be fitted (1.5mm² for the remote input switch connector). Connect the wires to the appropriate terminals as indicated below. Refer to other details provided in this manual to confirm proper selection of voltage, polarity and input type before applying power to the instrument. When power is applied the instrument will cycle through a display sequence, indicating the software version and other status information, this indicates that the instrument is functioning.

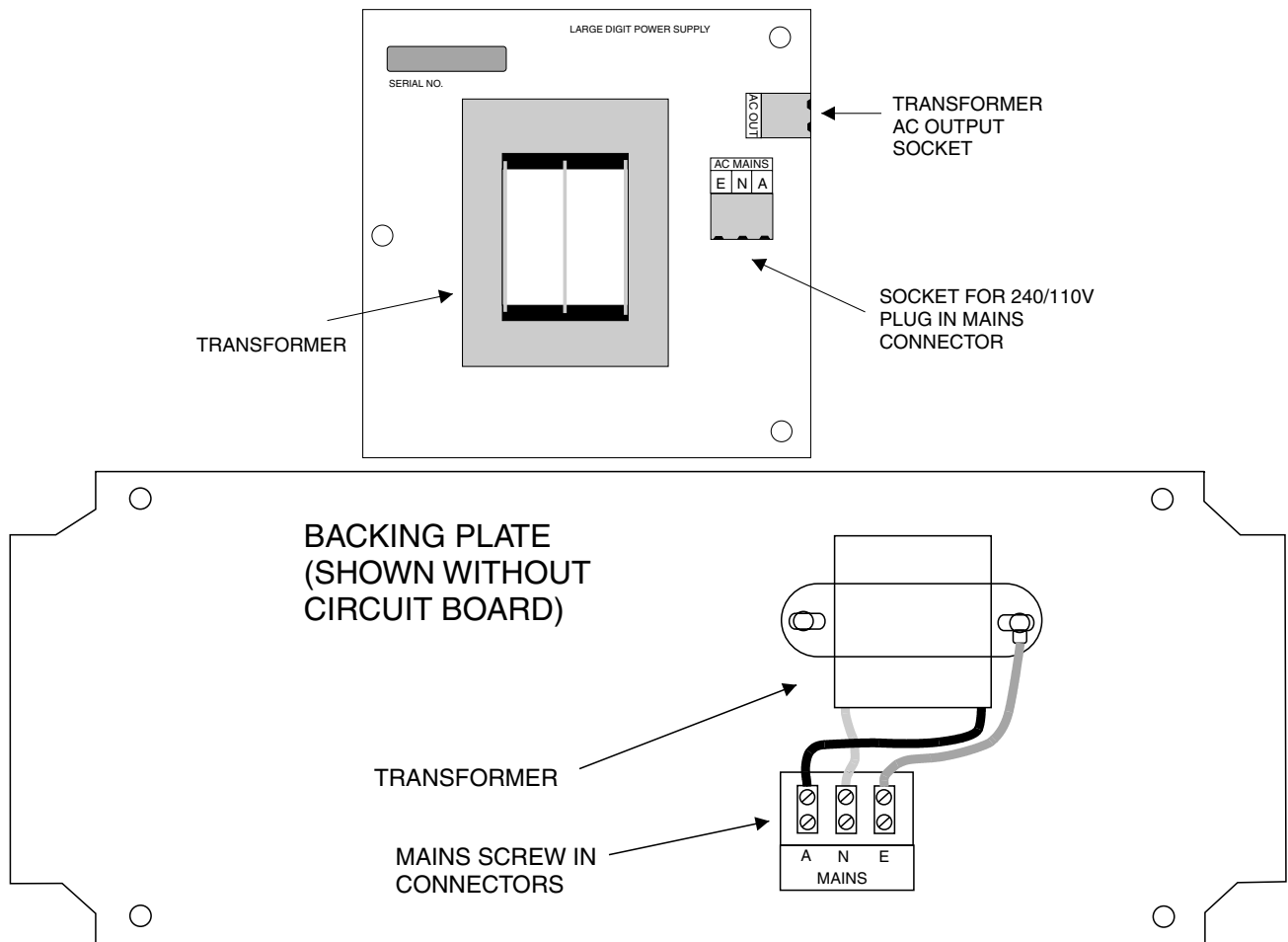
MAIN CIRCUIT BOARD LAYOUT (PARTIAL VIEW)



3.1 Power supply connections

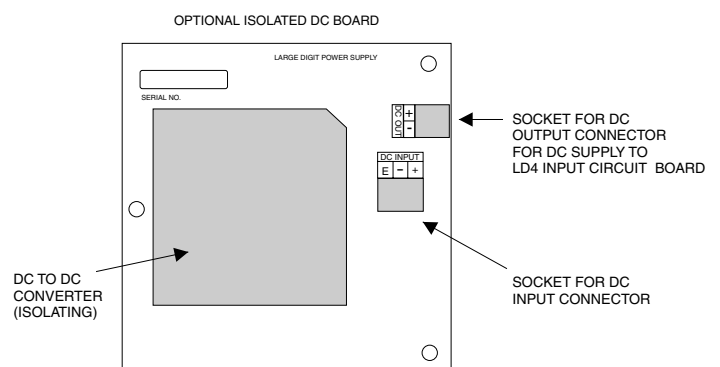
Mains power connections (240VAC or 110VAC) are either via a plug in terminal with screw connections (display type 574) or via screw terminals mounted to the backplane of the instrument.

The transformer low voltage AC output goes to the power supply connector P1 on the main circuit board via the lead supplied.



Non isolated DC supplies (15 to 24V) are connected at the main circuit board power supply connector P1 via the plug in connector terminals. The positive and negative supplies may be connected either way around.

Optional isolated DC supplies (if fitted) should be connected to the separate isolated supply board at connector P1 on this board. The required polarity of the connections is marked on this board.

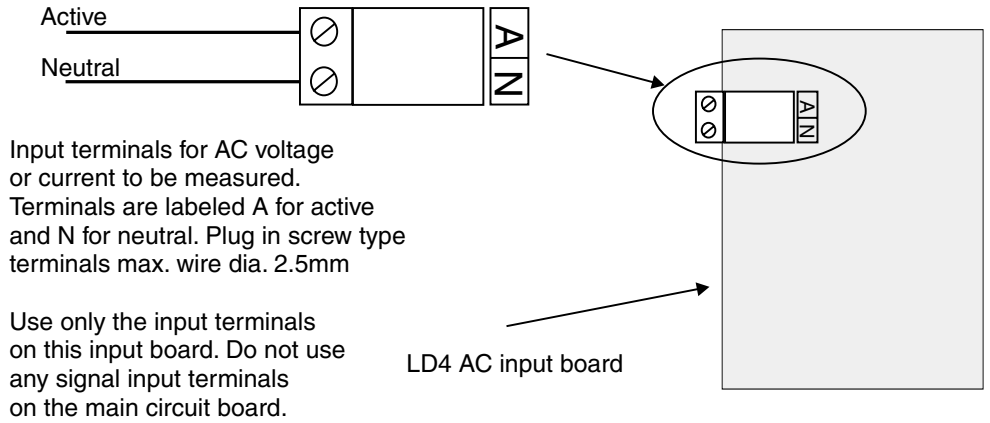


3.2 Relay connections

The LD4 is supplied with two alarm relays as standard with connections on P6. The relays are single pole, single throw types and are rated at 5A, 240VAC into a resistive load. The relay contact is voltage free and may be programmed for normally open or normally closed operation.

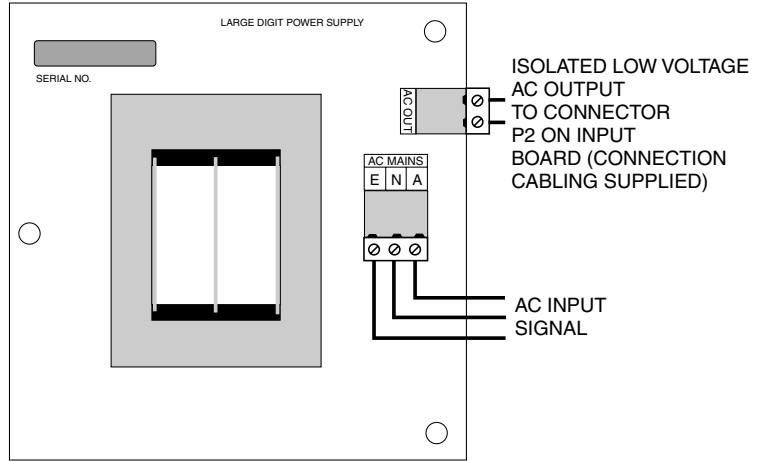
3.3 Input Connector

The diagram shows the input connector P2 for the LD4. Ensure that the input range selector links are also set correctly (see below). Wires of up to 2.5mm diameter can be accepted. The connectors are of the plug in type for ease of installation.



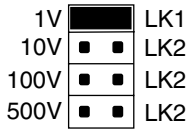
3.4 Isolated input board

The isolated input board is used for voltage inputs above 100VAC. The input is fed via a transformer for isolation and reduction of voltage. The isolated output goes to connector P2.

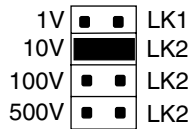


3.5 Input type selector links

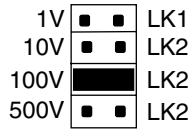
The input type selector links must be set to suit the input range required. Input links allow selection of either 0-2VAC, 0-10VAC, 0-100VAC or 0-250VAC for model LD4-AV. The input type selector links are located on the underside of input board. Note that when the 500V link is selected the input should not in fact exceed 250VAC and the isolated input board (see above) is required. The 500V link should be in for AC amp inputs 0-5A, model LD4-AI.



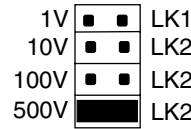
0-1VAC INPUT
Can be used for 0-2VAC input.



0-10VAC INPUT



0-100VAC INPUT

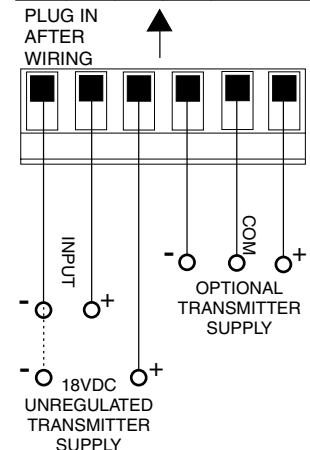


0-500VAC INPUT
Should be used up to 250VAC input only or for 0-5Amps AC

3.6 Remote input connector

The LD4 has a software function named **REMOTE** or remote input. Closure of the remote input connector via a switch or relay contact will cause the selected remote input function to operate. Choose the switch type to suit the remote input required e.g. for a peak memory, **MEM**, function a momentary action switch is most commonly used, for a display hold, **HL D**, a latching switch may be required.

INPUT		EXCITATION		
-	+	UN REG	COM	+



4 Explanation of Functions

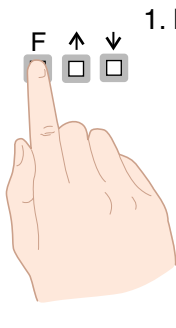
The LD4 setup and calibration functions are configured through a push button sequence. Two levels of access are provided for setting up and calibrating:-

FUNC mode (simple push button sequence) allows access to commonly set up functions such as alarm setpoints.

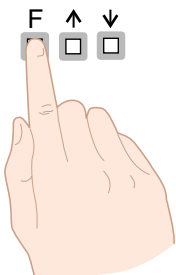
CAL mode (power up sequence plus push button sequence) allows access to all functions including calibration parameters.

The three push buttons located on the main circuit board are used to alter settings. Once **CAL** or **FUNC** mode has been entered you can step through the functions, by pressing and releasing the **F** push button, until the required function is reached. Changes to functions are made by pressing the **▲** or **▼** push button (in some cases both simultaneously) when the required function is reached.

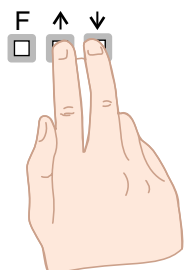
Entering **CAL** Mode



1. Remove power from the instrument and wait 5 seconds. Hold in the **F** button and reapply power. The display will indicate **CAL** as part of the "wake up messages" when the **CAL** message is seen you can release the button. Move to step 2 below.



2. When the "wake up" messages have finished and the display has settled down to its normal reading press, then release the **F** button. Move to step 3 below.



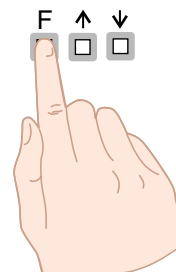
3. Within 2 seconds of releasing the **F** button press, then release the **▲** and **▼** buttons together. The display will now indicate **FUNC** followed by the first function.

Notes: If step 1 above has been completed then the instrument will remain in this **CAL** mode state until power is removed. i.e. there is no need to repeat step 1 when accessing function unless power has been removed.

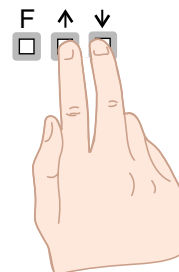
The instrument should show all 8's on power up e.g. **8.8.8.8**. If the instrument does not reset then these numbers will not be seen. Switch off the instrument and allow a longer time delay before powering up again.

Entering **FUNC** Mode

No special power up procedure is required to enter **FUNC** mode.



1. When the "wake up" messages have finished and the display has settled down to its normal reading press, then release the **F** button. Move to step 2 below.



2. Within 2 seconds of releasing the **F** button press, then release the **▲** and **▼** buttons together. The display will now indicate **FUNC** followed by the first function.

Alternative **CAL** Mode Entry

This alternative method allows **CAL** mode entry without the need to remove power:

1. Enter **FUNC** mode using the 2 steps above
 2. When the first function appears press and hold the **P** button until you see the message **FUNC** followed by **CAL** (the **P** button will have to be held pressed for approximately 2 seconds)
 3. You should now return to the function you were in but have full access to **CAL** mode functions
- Note: when you exit back to live reading the PM4 will remain in **CAL** mode for approximately 4 minutes, after this time you will need to repeat this process to enter **CAL** mode.

The alarm and brightness functions below are accessible via *FUNE* mode.

The LD4 has an easy alarm access facility which allows access to the alarm setpoints simply by pressing the **F** button. The first setpoint will then appear and changes to this setpoint may be made to this setpoint via the **▲** or **▼** buttons. Press the **F** button to accept any changes or to move on to the next setpoint.

The instrument must be set in the manner described below to allow the easy access facility to work:

1. The *F.I NP* function must be set to *SP.AC* or the *ALCS* function set to *ESY*.
2. At least one alarm must have a setpoint, nothing will happen if all the alarm setpoints are set to *OFF*.
3. The *SP.AC* function must be set to allow access to the relays required e.g. if set to *R 1-2* then the easy access will work only with alarm relays 1 and 2 even if more relays are fitted.
4. The instrument must be in normal measure mode i.e. if the instrument is powered up so that it is in *CAL* mode then the easy access will not function. If in doubt then remove power from the instrument, wait for a few seconds then apply power again.
5. If the easy access facility is used then the only way to view or alter any other function settings is to power up via *CAL* mode i.e. there is not entry to *FUNE* mode unless the instrument is powered up in *CAL* mode.

***R L 0* (alarm low setpoint)**

Displays and sets the low value for alarm 1 relay. The low alarm setpoint may be disabled by pressing the **▲** and **▼** pushbuttons simultaneously. When the alarm is disabled the display will indicate *OFF*. Use **▲** or **▼** to adjust the setpoint value if required. The alarm will activate when the displayed value is lower than the *R L 0* setpoint value. Each relay may be configured with both a low and high setpoint if required, if so the relay will be activated when the display reading moves outside the band set between low and high setpoints.

***R H 0* (alarm high setpoint)**

Displays and sets the high value for alarm 1 relay. The high alarm setpoint may be disabled by pressing the **▲** and **▼** pushbuttons simultaneously. When the alarm is disabled the display will indicate *OFF*. Use **▲** or **▼** to adjust the setpoint value if required. The alarm will activate when the displayed value is higher than the *R H 0* setpoint value. Each relay may be configured with both a low and high setpoint if required, if so the relay will be activated when the display reading moves outside the band set between low and high setpoints.

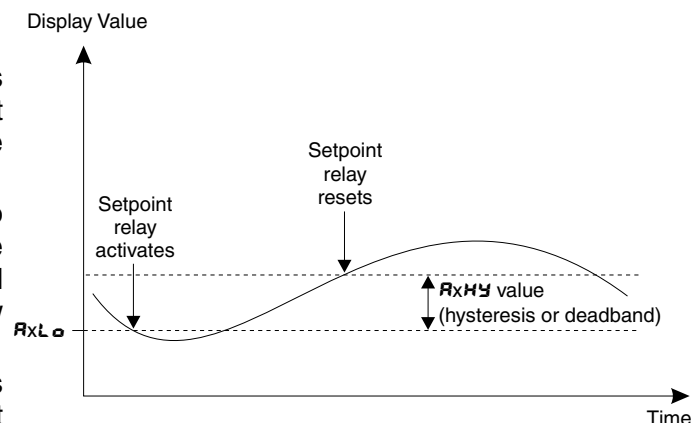
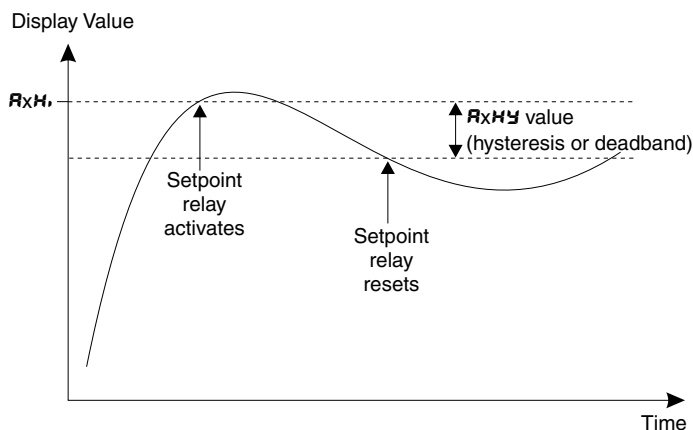
***R HY* (alarm hysteresis [deadband])**

Displays and sets the alarm hysteresis limit and is common for both high and low setpoint values. The hysteresis value may be used to prevent too frequent operation of the setpoint relay when the measured value stays close to the setpoint. Without a hysteresis setting (*R HY* set to zero) the alarm will activate when the display value goes above the alarm setpoint (for high alarm) and will reset when the display value falls below the setpoint, this can result in repeated on/off switching of the relay at around the setpoint value. The hysteresis setting operates as follows:

In the high alarm mode, once the alarm is activated the input must fall below the setpoint value minus the hysteresis value to reset the alarm.

e.g. if *R H 0* is set to *50.0* and *R HY* is set to *3.0* then the setpoint output relay will activate once the display value goes above *50.0* and will reset when the display value goes below *47.0* (*50.0* minus *3.0*).

In the low alarm mode, once the alarm is activated the input must rise above the setpoint



value plus the hysteresis value to reset the alarm.

e.g. if **A 1L0** is set to **20.0** and **A 1HY** is set to **10.0** then the alarm output relay will activate when the display value falls below **20.0** and will reset when the display value goes above **30.0** (20.0 plus 10.0).

The hysteresis units are expressed in displayed engineering units.

A 1t (alarm trip time)

Displays and sets the alarm trip time and is common for both alarm high and low setpoint values. The trip time is the delay time before the alarm relay will activate, or trip, when an alarm condition is present. The alarm condition must be present continuously for the trip time period before the alarm will trip. This function is useful for preventing an alarm trip due to short non critical deviations from setpoint. The trip time is selectable over **0** to **50** seconds.

A 1r (alarm reset time)

Displays and sets the alarm relay reset time. With the alarm condition is removed the alarm relay will stay in its alarm condition for the time selected as the reset time. The reset time is selectable over **0** to **50** seconds.

A 1n.o or A 1n.c (alarm 1 normally open or normally closed)

Displays and sets the setpoint alarm relay action to normally open (de-energised) or normally closed (energised), when no alarm condition is present. A normally closed alarm is often used to provide a power failure alarm indication.

A 2L0 . A 3L0 & A 4L0 (alarm low setpoint)

Displays and sets alarm 2, 3 & 4 low setpoints, see **A 1L0** for further description. Note: alarm relays 3 & 4 are only fitted as options.

A 2H. . A 3H. & A 4H. (alarm high setpoint)

Displays and sets alarm 2, 3 & 4 high setpoints, see **A 1H.** for further description. Note: alarm relays 3 & 4 are only fitted as options.

A 2HY . A 3HY & A 4HY (alarm hysteresis [deadband])

Displays and sets the alarm hysteresis limit for alarm 2, 3 & 4, see **A 1HY** for further description. Note: alarm relays 3 & 4 are only fitted as options.

A 2t . A 3t & A 4t (alarm trip time)

Displays and sets the alarm trip time for alarm 2, 3 & 4, see **A 1t** for further description. Note: alarm relays 3 & 4 are only fitted as options.

A 2r . A 3r & A 4r (alarm reset time)

Displays and sets the alarm relay reset time for alarm 2, see **A 1r** for further description. Note: alarm relays 3 & 4 are only fitted as options.

A 2n.o / A 2n.c . A 3n.o/A 3n.c, A 4n.o/A 4n.c (alarm normally open or normally closed)

Displays and sets the setpoint alarm relay action for alarm 2, 3 & 4, see **A 1n.o / A 1n.c** for further description. Note: alarm relays 3 & 4 are only fitted as options.

Ax.SP, Ax.t 1, Ax.t 2 etc. (**relay operation independent setpoint or trailing**) - this function will not be seen if both the high and low setpoints are set to **OFF**.

Each alarm may be programmed to operate with an independent setpoint setting or may be linked (or trailing) to operate at a fixed difference to another relay setpoint. The operation is as follows: Alarm 1 (**A1**) is always independent. Alarm 2 (**A2**) may be independent or may be linked to Alarm 1. Alarm 3 (**A3**) may be independent or may be linked to Alarm 1 or Alarm 2. Alarm 4 (**A4**) may be independent or may be linked to Alarm 1, Alarm 2 or Alarm 3. The operation of each alarm is selectable within the Function Setup Mode by selecting, for example, (Alarm 4) **A4.SP** = Alarm 4 normal setpoint or **A4.t 1** = Alarm 4 trailing Alarm 1 or **A4.t 2** = Alarm 4 trailing Alarm 2 or **A4.t 3** = Alarm 4 trailing Alarm 3. For trailing set points the setpoint value is entered as the difference from the setpoint being trailed. If the trailing setpoint is to operate ahead of the prime setpoint then the value is entered as a positive number and if operating behind the prime setpoint then the value is entered as a negative number. For example, with Alarm 2 set to trail alarm 1, if **A 1H.** is set to 1000 and **A 2H.** is set to 50 then Alarm 1 will trip at 1000 and alarm 2 will trip at 1050 (i.e. 1000 + 50). If Alarm 2 had been set at -50 then alarm 2 would trip

at 950 (i.e. 1000 - 50). See the trailing alarm table which follows.

Trailing Alarm Table Showing Possible Alarm Assignments			
	A2	A3	A4
A1	A2.1	A3.1	A4.1
A2		A3.2	A4.2
A3			A4.3

br 95 (display brightness)

Displays and sets the digital display brightness. The display brightness is selectable from 1 to 15, where 1 = lowest intensity and 15 = highest intensity. This function is useful for improving the display readability in dark areas or to reduce the power consumption of the instrument.

dull (remote input controlled display brightness)

Displays and sets the level for remote input brightness switching, see F.I NP function. When the remote input function is set to dull the remote input can be used to switch between the display brightness level set by the br 95 function and the display brightness set by the dull function. The display brightness is selectable from 0 to 15, where 0 = lowest intensity and 15 = highest intensity. This function is useful in reducing glare when the display needs to be viewed in both light and dark ambient light levels.

The functions which follow are accessible via CAL mode only.

rec - (recorder/analog retransmission output low value)

Seen only when analog retransmission option fitted. Displays and sets the analog retransmission (4-20mA, 0-1V or 0-10V, link selectable) output low value (4mA or 0V) in displayed engineering units. e.g. if it is required to retransmit 4mA when the display indicates 0 then select 0 in this function via the ▲ or ▼ button.

rec+ (recorder/analog retransmission output high value)

Seen only when analog retransmission option fitted. Displays and sets the analog retransmission (4-20mA, 0-1V or 0-10V, link selectable) output high value (20mA, 1V or 10V) in displayed engineering units. e.g. if it is required to retransmit 20mA when the display indicates 500 then select 500 in this function via the ▲ or ▼ button.

drnd (display rounding)

Displays and sets the display rounding value. This value may be set to 0 - 5000 displayed units. Display rounding is useful for reducing the instrument resolution without loss of accuracy, in applications where it is undesirable to display to a fine tolerance. For example if drnd is set to 10 the display indication will change in multiples of 10 only .e. it will be able to display 0, 10, 20, 30 etc. but not 2, 4, 15 etc.

dcp (decimal point selection)

Displays and sets the decimal point. By pressing the ▲ or ▼ pushbuttons the decimal point position may be set. The display will indicate as follows: 0 (no decimal point), 0.1 (1 decimal place), 0.02 (2 decimal places) and 0.003 (3 decimal places)..

fi 5r (digital filter)

Displays and sets the digital filter value. Digital filtering is used for reducing susceptibility to short term interference. The digital filter range is selectable from 0 to 8, where 0 = none and 8 = most filtering. A typical value for the digital filter would be 3. Use ▲ or ▼ to alter if required. Note that at higher filter values the display update time will be increased.

di SP UN: (display units)

For temperature measurement only, not applicable to this instrument, leave set to NONE.

The CAL 1 and CAL 2 functions described below allow the display to be scaled to read in engineering units using “live” inputs.

CAL 1 (first scaling point for 2 point scaling method)

CAL 1 and **CAL 2** are used together to scale the instruments display, values for both must be set when using this scaling method.

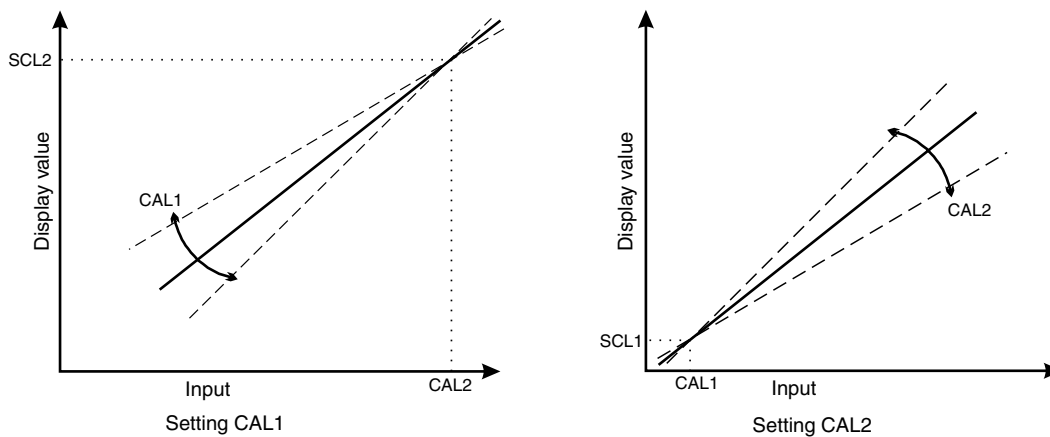
The **CAL 1** function sets the first calibration point for live input calibration. When using this method a "live" signal input must be present at the input terminals. Note: **CAL 1** and **CAL 2** can be set independently i.e. it is not necessary to perform a **CAL 2** operation directly after a **CAL 1**.

The procedure for entering the first scaling point is:

- a. Ensure that an input signal is present at the input terminals, this will normally be at the low end of the signal range e.g. 0V or 0A (short circuit across the input terminals with input cables removed).
- b. At the **CAL 1** function press **▲** and **▼** simultaneously, then release them. The display will indicate the live input value. Do not be concerned at this stage if the live input display value is not what is required. It is important that the live input value seen is a steady value, if not then the input stability needs to be investigated before proceeding with the scaling.
- c. Press, then release the **F** button. The display will indicate **SCL 1** followed by a value. Use the **▲** or **▼** button to change this value to the required display scale value at this input. e.g. if 0V or 0A was input and the required display at 0V was **0** then ensure **0** is selected at **SCL 1**. Press the **F** button to accept changes or the **P** button to abort the scaling.

CAL 2 (second scaling point for 2 point scaling method)

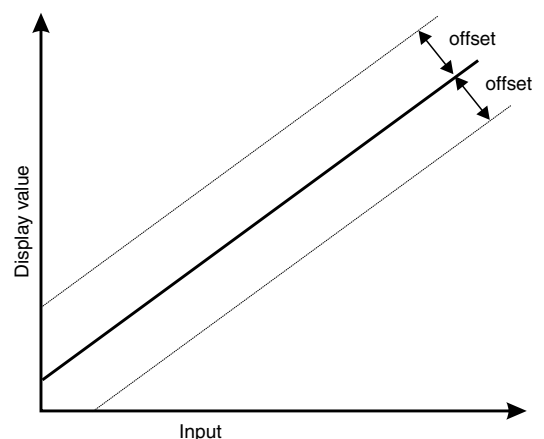
The second point scaling is performed in exactly the same manner as **CAL 1** except that **SCL 2** will



be seen instead of **SCL 1**. It is essential that the live input is different in value to the **CAL 1** input e.g. for a 0-100V input use 100V as the **CAL 2** live input. Note; it is not essential that exactly 0 and 100V are used as the live inputs for a 0-100V input scaling (or 0A and 5A) but the input values must be significantly different.

CAL OFFSET (calibration offset)

The calibration offset is a single point adjustment which can be used to alter the calibration scaling values across the entire measuring range without affecting the calibration slope. This method can be used instead of performing a two point calibration when a constant measurement error is found to exist across the entire range. To perform a calibration offset press the **▲** and **▼** buttons simultaneously at the **CAL OFFSET**



function. A "live" reading from the input will be seen, make a note of this reading. Press the **F** button, the message **SCL E** will now be seen followed by the last scale value in memory. Use the **▲** or **▼** button to adjust the scale value to the required display value for that input. For example if the "live" input reading was **50** and the required display value for this input was **70** then adjust the **SCL E** value to **70**.

ZERO RANGE (zero range)

The zero range function allows a limit value to be set (in engineering units) above which the display will not zero i.e. if a zero operation is attempted via the **P** button, remote input or set zero function when the display value is greater than the zero range setting the display will refuse to zero and give a **ZERO RANGE Err** message (note that the **CAL OFFSET** function is also affected by the **ZERO RANGE** setting). For example if the zero range setting is 10 the instrument will only respond to a zero operation if the display

reading at the time is between -10 and 10. If the zero range function is not required it can be set to **OFF** by pressing the **▲** and **▼** buttons simultaneously at this function. When switched off the instrument can be zeroed no matter what the display value.

Note that the instrument keeps track of the value being zeroed at each operation, when the total amount zeroed from repeated operations becomes greater than the zero range value the instrument will reject the zero operation and a **ZERO RANGE Err** message will be seen. To allow a zero operation beyond this point either the **ZERO RANGE** function value will need to be raised or a new zero reference point introduced via the **CAL ZERO** function.

If repeated zero operations are required the **ZERO RANGE** function should be set to **OFF** or alternatively the **LRFE** operation could be considered.

CAL ZERO (calibration zero)

The calibration zero function is used following a calibration via **CAL 1** and **CAL 2**. A calibration zero operation at this time ensures that the display zero and the **ZERO RANGE** reference zero are at the same point after a calibration. After a calibration the calibration zero can also be used to select a zero point other than the display zero as the reference for the **ZERO RANGE** function. For example if the **CAL ZERO** operation is carried out with a display reading of 500 and a **ZERO RANGE** reading of 10 the zero range function will allow the display to zero only if the current display reading is between 490 and 510. To perform a calibration zero press the **▲** and **▼** buttons simultaneously at the **CAL ZERO** function, a live reading will be seen, press the **P** button, the message **CAL ZERO End** should now be seen indicating that the instrument has accepted the zero point. Although the display reading will not change as a result of the calibration zero the input value on the display at the time of the operation will be the new zero reference point for the **ZERO RANGE** function.

USEF En 4 (4mA input scaling without a live input)

Not applicable to this instrument.

USEF En 20 (20mA input scaling without a live input)

Not applicable to this instrument.

P.but (P button function)

The **P** button may be set to operate some of the remote input functions, see **F.I NP** below for a description of these functions. If both the remote input and **P** button function are operated simultaneously the **P** button will override the remote input. The functions below are as described in the **F.I NP** function above with the exception of the **P.SET** function.

Functions available are:

NONE, H, Lo, H, Lo, LRFE or ZERO

Note: To prevent accidental operation of the **P** button in the **LRFE** or **ZERO** functions it is necessary to hold the button in for 2 seconds to perform the selected operation.

F.I NP (remote input function)

See the "Electrical Installation" chapter for the location of the remote input electrical connector. When these pins are short circuited, via a pushbutton or keyswitch the instrument will perform the selected remote input function. A message will flash to indicate which function has been selected when the remote input pins are short circuited. The remote input functions are as follows:

NONE - no remote function required.

P.Hld - peak hold. The display will show the peak value only whilst the remote input pins are short circuited.

d.Hld - display hold. The display value will be held whilst the remote input pins are short circuited.

H - peak memory. The peak value stored in memory will be displayed if the remote input pins are short circuited, if the short circuit is momentary then the the display will return to normal measurement after 20 seconds. If the short circuit is held for 1 to 2 seconds or the power is removed from the instrument then the memory will be reset.

Lo - valley memory. The minimum value stored in memory will be displayed. Otherwise operates in the same manner as the **H** function.

H, Lo - toggle between **H** and **Lo** displays. This function allows the remote input to be used to toggle between peak and valley memory displays. The first operation of the remote input will cause the peak memory value to be displayed, the next operation will give a valley memory display. **PH** or **PLo** will

flash before each display to give an indication of display type.

TAPE - display tare. Short circuiting the remote input pins momentarily will allow toggling between nett and gross values (shown as **NETT** and **GROSS**). If the remote input is short circuited for approx. 2 seconds the display will be tared and will show zero. The tare will be lost if power is removed.

ZERO - display zero. Zeroes the display in same manner as the tare function except that the zero is not lost when power is removed and the display will zero as soon as the remote input is short circuited.

SP.AC - setpoint access only. This blocks access to any functions except the alarm setpoint functions unless the remote input pins are short circuited or entry is made via **CAL** mode.

NO.AC - no access. This blocks access to all functions unless the remote input pins are short circuited or entry is made via **CAL** mode.

CAL.S - calibration select. The remote input can be used to select between calibration scaling values. Two sets of calibration values can be entered in the LD4-IV, one set with the remote input open circuit and another set with the remote input short circuit to ground. The remote input can then be used to switch between one set and the other. This feature can be used on all input ranges.

For example: With the remote input open circuit a 0-250V input can be scaled (using **CAL 1** & **CAL 2**) to read 0 to 100 over the 0-250V range. With the remote input short circuit to ground the scaling can be repeated using figures of 0 to 500 for the 0-250V range. The remote input can be used to switch between ranges. In this example the first scaling could represent a % figure and the second scaling could represent the actual process units (volts, amps etc).

BULL - display brightness control. The remote input can be used to change the display brightness. When this mode is selected the display brightness can be switched, via the remote input, between the brightness level set at the **BRGT** function and the brightness level set at the **BULL** function.

NETT FL5H (nett value display mode)

Not applicable to this instrument, leave this function set to **OFF**.

ACCESS (access mode)

The access mode function **ACCESS** has four possible settings namely **OFF**, **EASY**, **NONE** and **ALL**. If set to **OFF** the mode function has no effect on alarm relay operation. If set to **EASY** the easy alarm access mode will be activated, see details at the beginning of this chapter preceding the **ALLO** function. If set to **NONE** there will be no access to any functions via **FUNC** mode, entry via **CAL** mode must be made to gain access to alarm and calibration functions. If set to **ALL** then access to all functions, including calibration functions, can be gained via **FUNC** mode.

SPAC (setpoint access)

Sets the access to the alarm relay set points. The following choices are available:

A 1 - Allows setpoint access to alarm 1 only.

A 1-2 - Allows access to alarms 1 and 2 only.

A 1-3 - Allows access to alarms 1, 2 and 3 only.

A 1-4 - Allows access to alarms 1, 2, 3 and 4.

The remote input function (**RI NP**) must be set to **SP.AC** for this function to operate. **Note:** Only the setpoints which have been given a value will be accessible e.g. if **A 1H** is set to **OFF** then there will be no access to the **A 1H** function when **SPAC** is used.

SQR (square root)

Selects the square root scaling to **ON** or **OFF**. When set to on a square root function is applied to the input. When set to **OFF** the calibration is a linear function. Note: It is essential that the display is rescaled, using **CAL 1** and **CAL 2**, whenever the square root function is turned on or off.

When the square root facility is used the scaled displayed value follows the square root of the percentage of the full scale input value. The upper and lower input limits are set as normal as are the values to be displayed at these limits. For example if, for a 0 - 5A input, you wish to display 0 at 0A and 1000 at 5A the square root function will calculate as follows:



At 5A (100%) the display will be 1000 i.e. $\sqrt{1} \times 1000$.

At 3.75A (75%) the display will be 866 i.e. $\sqrt{0.75} \times 1000$.

At 2.5A (50%) the display will be 707 i.e. $\sqrt{0.50} \times 1000$ and so on.

LO d SP (low overrange limit value)

The display can be set to show an overrange message if the display value falls below the **LO d SP**

setting. For example if **L o d: SP** is set to **50** then once the display reading falls below **50** the message **-or-** or the display value (see **d: SP** function) will flash instead of the normal display units. This message can be used to alert operators to the presence of an input which is below the low limit. If this function is not required it should be set to **OFF** by pressing the  and  buttons simultaneously at this function.


H: 9H d: SP (high overrange limit value)

The display can be set to show an overrange message if the display value rises above the **H: 9H d: SP** setting. For example if **H: 9H d: SP** is set to **1000** then once the display reading rises above **1000** the message **-or-** or the display value (see **d: SP** function) will flash instead of the normal display units. This message can be used to alert operators to the presence of an input which is above the high limit. If this function is not required it should be set to **OFF**.

d: SP (display overrange warning flashing mode)

This function is used in conjunction with the **L o** and **H: 9H d: SP** functions. The **d: SP** function can be set to **FLSH** or **-or-**. If the value set at the **L o** or **H: 9H d: SP** function is exceeded and the **d: SP** function is set to **FLSH** then the display value will flash on for approximately one second and off for approximately one second as a warning. If the value set at the **L o** or **H: 9H d: SP** function is exceeded and the **d: SP** function is set to **-or-** then the **-or-** message will flash on for approximately one second and off for approximately one second as a warning. The warning flashes will cease and the normal display value will be seen when the value displayed is higher than the low limit and lower than the high limit.

R 1 (alarm 1 operation mode)

The alarm mode function allows the selected alarm relay to follow either the live input value (**L, UE**), the tare function (**TRFE**), the peak hold function (**P.HLd**), the display hold (**d.HLd**), the peak memory (**H,)** or valley memory (**L o**) or the display value (**d: SP**). For settings other than **d: SP** operation a remote input or  button must also be set to the function required.

Example 1 - R 1 is set to L, UE

With the alarm function set to **L, UE** the alarm relay operation will follow the live input based on the electrical inputs and scaling values used when the instrument is calibrated. If the value on the display has been altered from the calibration scaling values e.g. via a tare operation then the alarm operation will ignore the display changes caused by the tare operation. For example if **R 1H,** is set to **100** then alarm relay 1 will activate if the display reading goes to **100** or above. If a tare operation is now carried out when the display value is **20** then the tare will cause the display value for that input to fall to zero. The alarm relay will now activate at display value of **80** or above since the live electrical input for a tared display of **80** is the same as it was for a value of **100** prior to the tare operation.

Example 2 - R 1 is set to TRFE and F: NP (remote input special function) is set to TRFE.

Assume that **R 1H,** is set to **100** and that the instrument is given a remote tare when the display reads **40**. Once the instrument is tared the display will read **0**. Alarm relay 1 is set to follow the tare value and will therefore operate when the (nett) display becomes greater than **100**.

Example 3 - R 1 is set to P.HLd and F: NP is set to P.HLd

If **R 1H,** is set to **100** then it will operate whenever the display shows a value over **100**. If the peak value exceeds **100** when the remote input is closed then alarm 1 will activate and will not reset until the remote input opens **and** the display value falls below **100**.

Example 4 - R 1 is set to d.HLd and F: NP is set to d.HLd

If **R 1L o** is set to **5** then it will operate whenever the display shows a value below **5**. If the display hold remote input is operated at a value above **5** then the alarm will not activate whilst the remote input remains closed, no matter what the electrical input. Likewise if the remote input is operated at a value below **5** then alarm will not de activate until the remote input is opened and the display value goes above **5**.

Example 5 - R 1 is set to H, and F: NP is set to H,

If **R 1H,** is set to **50** and the peak memory value becomes greater than **50** then alarm relay 1 will be constantly activated at this point and will only become de activated when the memory is reset at a value below **50**. The memory can be reset by holding the remote input closed for 2-3 seconds. Note that in this case the alarm can be activated even if the display value is less than the alarm setting, this is because the alarm is activated by the value in peak memory rather than the display value.

Example 6 - $R1$ is set to Lo and $F1 NP$ is set to Lo

If $R1 Lo$ is set to **280** and the valley memory value becomes less than **280** then alarm 1 will be constantly activated at this point and will only become de activated when the memory is reset at a value above **280**. The memory can be reset by holding the remote input closed for 2-3 seconds. Note that in this case the alarm can be activated even if the display value is greater than the alarm setting, this is because the alarm is activated by the value in valley memory rather than the display value.

Example 7- $R1$ is set to $d1 SP$

With the alarm function set to follow the display value the alarm relay will activate whenever the display shows an alarm condition, irrespective of any alteration to the original scaling values due to a tare, zero, peak memory etc. operation. Thus if $R1 Lo$ is set to **50** and $R1 H$ is set to **100** then alarm relay 1 will activate whenever the value shown on the display falls below **50** or goes above **100**. If the $F1 NP$ function is now set to H (peak memory) and the peak memory value is **100** or greater then the alarm relay will be activated whenever the remote input is used to display the H value, irrespective of the live input at the time.

$R2, R3$ & $R4$ (alarm 2, 3 & 4 operation mode)

Operates as per $R1$ above but affects alarm relays 2, 3 & 4.


FEC (analog retransmission output mode) - seen only when analog retransmission option is fitted

The analog retransmission mode function allows the selected retransmission output to follow either the live input value (L, UE), the tare function ($tRFE$), the peak hold function ($P.HLd$), the display hold ($d.HLd$), the peak memory (H) or valley memory (Lo) or the display value ($d1 SP$). For settings other than $d1 SP$ operation a remote input or \square button must also be set to the function required. These settings affect the retransmission output in the same manner as the equivalent settings affect the alarm relay operation - see $R1$ function for details.

Returning to normal measure mode

When the calibration has been completed it is advisable to return the instrument to the normal mode (where calibration functions cannot be tampered with). To return to normal mode, turn off power to the instrument, wait a few seconds and then restore power.

5 Function Table

Initial display	Meaning of display	Next display	Default Setting	Record Your Settings
RxLo	Alarm 1 low setpoint value	Setpoint value or OFF	OFF	See following table
RxHi	Alarm 1 high setpoint value	Setpoint value or OFF	OFF	See following table
RxHY	Alarm 1 hysteresis	Hysteresis value in measured units	10	See following table
RxTt	Alarm 1 trip time	No of seconds before relay trips	0	See following table
Rxrt	Alarm 1 reset time	Reset time in seconds	0	See following table
Rxn.o or Rxn.c	Alarm 1 action N/O or N/C	Rxn.o or Rxn.c	Rxn.o	See following table
Rx.SP or R2.Ex	Setpoint or trailing alarm	Rx.SP or R2.Ex	RX.SP	See following table
brgt	Display brightness	1 to 15	15	
dULL	Remote display brightness switching	0 to 15	1	
The functions below are accessible via CAL mode or if ACCS function is set to ALL				
rEC-	Recorder output low limit	Value in memory	0	
rEC+	Recorder output high limit	Value in memory	1000	
drnd	Display rounding selects resolution	Value in memory	1	
dCPt	Display decimal point	Decimal point position (e.g. 0.0 , 10.02 or 0.003)	0	
FLtr	Digital filter range 0 to 8	0 to 8 (8 =most filtering)	3	
di SP unit	Display units	NONE , PC , PF , C or F	NONE	
CAL 1	First scaling point	Live reading	n/a	
CAL 2	Second scaling point	Live reading	n/a	
CAL OFSt	Offset to calibration	Live reading	n/a	
ZERO RANGE	Zero range limit	Live reading	n/a	
CAL ZERO	Zero point calibration	Limit value or OFF	Not applicable to this instrument, leave set to OFF	
USEF En4	4mA input scaling	Value in memory	Not applicable	Not applicable
USEF En20	20mA input scaling	Value in memory	Not applicable	Not applicable
UCAL	Uncalibrate	CAL CLR	n/a	
P.but	 button function	NONE , H , Lo , H , Lo , LRGE or ZERO	NONE	
r.i NP	Remote input function	NONE , PHLd , dHLD , H , Lo , H , Lo , LRGE , ZERO , SP.AC , No.AC , CAL.S or dULL	NONE	
NEtt FLASH	Nett viewing mode	on or OFF	Not applicable to this instrument, leave set to OFF	
ACCS	Access mode	OFF , EASY , NONE or ALL	OFF	
SPAC	Setpoint access	R 1 or R 1-2	R 1	
Sqr-t	Square root operation	OFF or on	OFF	
Lo di SP	Display low overrange	Limit value or OFF	OFF	
HI SH di SP	Display high overrange	Limit value or OFF	OFF	

di SP	Overrange display warning flashing mode	FLSH or -or-	FLSH	
Rx	Alarm operation mode	LI UE . tARFE . P.HLd . d.HLd.Lo or di SP	di SP	See following table
FEC	Analog retransmission output mode. Seen only when this option is fitted.	LI UE . tARFE . P.HLd . d.HLd.Lo or di SP	di SP	

Note: Functions shown shaded on this table will be displayed, only when those particular options are fitted. See "Optional Outputs" Appendix for details of optional serial communications functions.

Settings for relays - record settings here				
	A1	A2	A3 (optionally fitted)	A4 (optionally fitted)
RxLo				
RxHi				
RxHy				
Rxtt				
Rxr t				
Rxn.o or Rxn.c				
Rx.SP or Rx.t i				
Rx				

6 Specifications

6.1 Technical Specifications

Input types:	True RMS reading Model PM4-AV link selectable 0-2V, 0-10V, 0-100V or 0-250VAC (isolation transformer used for inputs above 100VAC). Model PM4-AI 0-5A AC
ADC Resolution:	1 in 20,000
Accuracy:	0.25% of full scale when calibrated
Sample rate:	4 per second
Conversion method:	Dual slope ADC
Microprocessor:	MC68HC11 CMOS
Ambient Temperature:	-10 to 60°C
Humidity:	5 to 95% non condensing
Power Supply:	AC 240V, 110V 50/60Hz or DC 15 to 24V non isolated or DC 12V to 48V isolated Supply type is factory configured
Outputs:	2 x Setpoint relays, form A, rated 5A at 240VAC
Power Consumption:	AC supply 15 VA max, DC supply, consult supplier (depends on display type & options)

6.2 Options

Relays 3 & 4	Same specifications as standard relays 1 & 2
Analog retransmission:	4-20mA, 0-1V or 0-10V
Serial communication:	RS232 or RS485

6.3 Physical characteristics

Model LD4-X-X-574	Case size (mm) = 255 x 145 x 125 Weight: = 1.3 kgs Mounting hole locations (mm) = 180(w) x 55(h)
-------------------	--

7 Guarantee and Service

The product supplied with this manual is guaranteed against faulty workmanship for a period of 2 years from the date of dispatch.

Our obligation assumed under this guarantee is limited to the replacement of parts which, by our examination, are proved to be defective and have not been misused, carelessly handled, defaced or damaged due to incorrect installation. This guarantee is VOID where the unit has been opened, tampered with or if repairs have been made or attempted by anyone except an authorised representative of the manufacturing company.

Products for attention under guarantee (unless otherwise agreed) **must be returned to the manufacturer freight paid** and, if accepted for free repair, will be returned to the customers address in Australia free of charge.

When returning the product for service or repair a full description of the fault and the mode of operation used when the product failed must be given.

In any event the manufacturer has no other obligation or liability beyond replacement or repair of this product.

Modifications may be made to any existing or future models of the unit as it may deem necessary without incurring any obligation to incorporate such modifications in units previously sold or to which this guarantee may relate.

**This document is the property of
the instrument manufacturer
and may not be reproduced in whole or part without the
written consent of the manufacturer.**

This product is designed and manufactured in Australia.

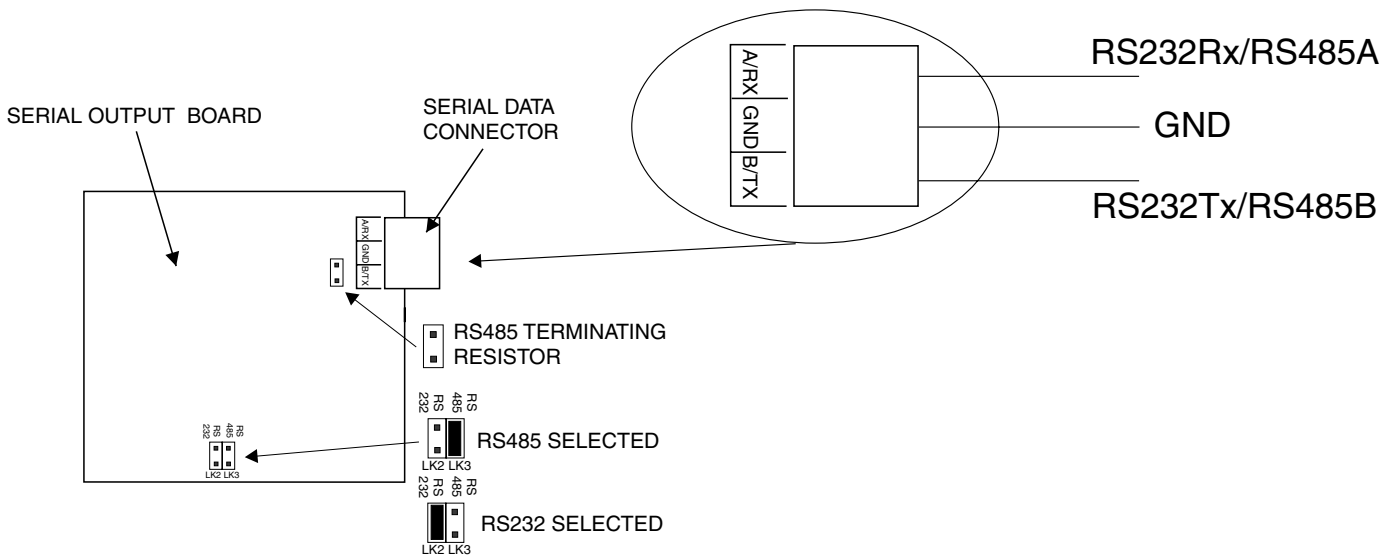
Appendix - Optional outputs

Serial communications option

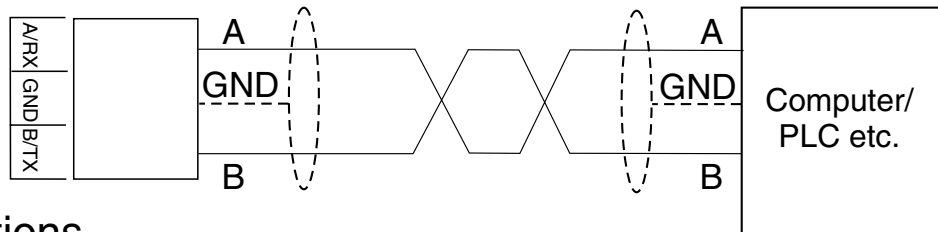
Electrical connections and output board links

See diagram below. Refer to “Electrical Installation” chapter for general information on electrical connections. External connections to the board are via plug in connectors with screw terminals these terminals allow for wires up to 1.5mm² to be fitted. Use twisted pair overall screened cable for RS485 and 3 core overall screened cable for RS232.

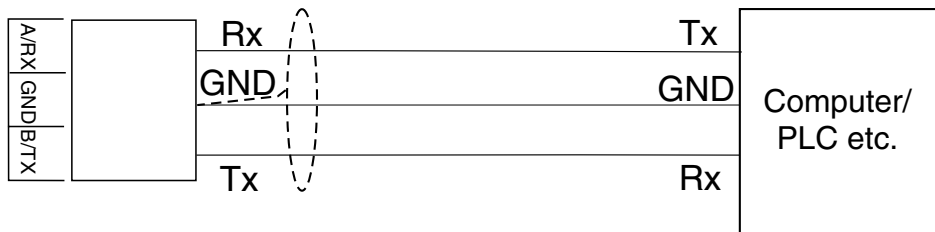
Ensure that the appropriate link is selected for RS232 or RS485. If RS232 is selected chip U1 should be in and chip U2 should be out. If RS485 is selected chip U1 should be out and chip U2 should be in. The RS485 terminating resistor link should be in if the LD4 is the first or last unit in a RS485 chain.



RS485 connections



RS232 connections



RS232/485 Operation and Commands

The RS232/485 interface is user selectable. The modes of operation available are as follows:-

d, SP - Image Display Mode:

In image display mode the display value is sent via RS232/RS485 as raw data in the following format:

<ESC> IXYYYY

Where:

<ESC> is the ESCAPE character (27 Dec, 1B Hex)

I is the character 'I' (73 Dec, 49 Hex)

X is the number of image bytes in ASCII (31 to 38 Hex)

YYYY is the raw, 8 bit display data.

This information is output every display update (approx. 4 times per second - depending upon baud rate). The number of image bytes sent depends on the number of display digits present. This mode is suitable only when the receiving unit is produced by the same manufacturer as the PM4.

The most common usage would be to provide a large digit display for wide area viewing which just mimics the smaller display on the measuring instrument. The large digit displays automatically detect the image mode data and display the correct value accordingly. The data is in seven segment display image i.e. Bit 0 is segment A, Bit 1 is segment B etc.

Cont - Continuous Transmit Mode:

In this mode the display value is continually sent via the RS232/485 interface in ASCII format with 8 data bits + 1 stop bit. Data will be updated at approximately the same rate as the sample rate (approx. 4 times per second - depending upon baud rate). Refer to the **SEFL** function for choices of operation mode in continuous transmit mode. The format for this is as follows:-

<STX> XYYYY<CR>

Where:

<STX> is start of text character (2 Dec, 02 Hex)

X SPACE (32 Dec, 20 Hex) for a positive value.

X '-' (45 Dec, 2D Hex) for a negative value.

YYYY is the display value in ASCII.

<CR> is a Carriage Return (13 Dec, 0D Hex)

e.g.: If the display is showing 123456 then the instrument will send '02 31 32 33 34 35 36 0D' (HEX) to the host.

POLL - Host Controlled Transmit Mode:

This mode requires a host computer or PLC to poll the instrument to obtain display or other information or reset various setpoint parameters. Special communications software such as "Telix" is required when using POLL mode. Data is in ASCII format with 8 data bits + 1 stop bit. When polling the PM4 it is essential that the command characters are sent with less than a 10mS delay between them. This normally means that each command line must be sent as a whole string e.g. <STX>PA<CR> is sent as one string rather than <STX> on one line followed by P etc. If testing using "Telix" or other software this is normally achieved by allocating a command string to a function key. Whenever the function key is operated the whole string is sent. The format used is ASCII (8 data bits + 1 stop bit) so, for instance, if address 1 is used then the string <STX>PA<CR> must be put into "Telix", or similar program as:

^BP!^M

Where:

^B is the ASCII character for STX

P is the command line to transmit the primary display value

! is the ASCII character for address 1 (33 Dec of 21 Hex)

^M is the ASCII character for CR

A typical format for the host command is as follows:-

<STX>CA<CR> (Standard read etc.)
<STX>CA<CR>N<CR>YYYYY (Set Value Command)

Where:

<STX> is Start of Text Character (2 Dec, 02 Hex, ^B ASCII)

C is the command character (see following commands)

A is the unit address (Range: 32 to 63 Dec, 20 to 3F Hex, "SPACE" to ? ASCII, the address is offset by 32 Dec, 20 Hex)

<CR> is Carriage Return (13 Dec, 0D Hex, ^M ASCII)

N is the setpoint number in ASCII e.g.: 1 for alarm 1 etc.

X SPACE for positive and '-' for negative

YYYY is the setpoint value in ASCII

The **POLL** commands available and instrument responses are as follows:

1. Transmit Primary Display Value: <STX>PA<CR>

e.g. ^BP!^M using Telix or similar (address 1).

Instructs unit to return the primary display value. The primary value is the live input reading. Format of returned data is:-

<ACK>PAXYYYY<CR>

Where:

<ACK> is Acknowledge (6 Dec, 06 Hex)

P echo command received 'P' (80 Dec, 50 Hex)

A is the responding unit's address

X SPACE for positive and '-' for negative

YYYY is the display value in ASCII

<CR> is a Carriage Return (13 Dec, 0D Hex)

The number of display characters returned depends on the number of display digits present. If the decimal point is non zero then it will be sent in the appropriate place as '.' (46 Dec, 2E Hex).

2. Transmit Secondary Display Value: <STX>SA<CR>

e.g. ^BS!^M using Telix or similar (address 1).

Instructs the unit to send the secondary display value. The value will equal the primary display value if the **F.I. NP** function is set to **NONE**. If the **F.I. NP** function is set to **H, Lo, H, Lo, P.HLd** or **d.HLd** the value for the selected operation will be returned (note: For **H, Lo** the Hi value followed by the Lo value will be sent separated by a comma). Format of returned data is:

<ACK>SAYYYY<CR> or
<ACK>SAYYYY,YYYY<CR> in the case of **H, Lo**

Where:

<ACK> is Acknowledge (6 Dec, 06 Hex)

S echo command received 'S' (83 Dec, 53 Hex)

A is the responding unit's address

YYYY is the secondary display value in ASCII

<CR> is a Carriage Return (13 Dec, 0D Hex)

3. Reset Special Function Value: <STX>RA<CR>

e.g. ^BR#^M using Telix or similar (address 3).

Instructs the unit to reset the special function value (if applicable). Will reset the stored value for Peak Hold, Valley High and Valley Low or will operate the tare or zero function if selected. Format of returned data is:-

<ACK>RA<CR>

Where:

<ACK> is Acknowledge (6 Dec, 06 Hex)

R echo command received 'R' (82 Dec, 52 Hex)

A is the responding unit's address

<CR> is a Carriage Return (13 Dec, 0D Hex)

If special functions are not active then the invalid command message will be returned (refer Invalid Command later).

4. Read Low Alarm Setpoint: <STX>LA<CR>N<CR>

e.g. ^BL%^M2^M to read alarm 2 low setpoint value using Telix or similar (address 5).

Instructs unit to return value of low alarm setpoint.

Format of returned data is:

<ACK>LANXXXXX<CR>

Where:

<ACK> is Acknowledge (6 Dec, 06 Hex)

L echo command received 'L' (76 Dec, 4C Hex)

A is the responding unit's address

N is the setpoint number in ASCII e.g.: 31 Hex would be alarm 1 etc.

X is SPACE for positive and '-' for negative

YYYY is the setpoint value in ASCII

<CR> is a Carriage Return (13 Dec, 0D Hex)

If setpoint number specified is not present the return string will have the setpoint number set to zero (i.e.: <ACK>LA0).

5. Read High Alarm Setpoint: <STX>HA<CR>N<CR>

e.g. ^BH^M1^M to read alarm 1 high setpoint value using Telix or similar (address 10).

Instructs unit to return value of high alarm setpoint.

Format of returned data is:

<ACK>HANXXXXX<CR>

Where:

<ACK> is Acknowledge (6 Dec, 06 Hex)

H echo command received 'H' (72 Dec, 48 Hex)

A is the responding unit's address

N is the setpoint number in ASCII e.g.: 31 Hex would be alarm 1 etc.

X is SPACE for positive and '-' for negative

YYYY is the setpoint value in ASCII

<CR> is a Carriage Return (13 Dec, 0D Hex)

If setpoint number specified is not present the return string will have the setpoint number set to zero (i.e.: <ACK>HA0).

6. Set Low Alarm Setpoint: <STX>IA<CR>N<CR>YYYY<CR>

e.g. ^BI!^M1^M500^M to set alarm 1 low setpoint to 500 using Telix or similar (address 1)

Instructs unit to change value of low alarm setpoint.

Format of returned data is:-

<ACK>IANXXXXX<CR>

Where:

<ACK> is Acknowledge (6 Dec, 06 Hex)

I echo command received 'I' (108 Dec, 6C Hex)

A is the responding unit's address

N is the setpoint number in ASCII e.g.: 31 Hex would be alarm 1 etc.

X is SPACE for positive and '-' for negative

YYYY is the setpoint value in ASCII

<CR> is a Carriage Return (13 Dec, 0D Hex)

If setpoint number specified is not present the return string will have the setpoint number set to zero (i.e.: <ACK>IA0XXXX).

7. Set High Alarm Setpoint: <STX>hA<CR>N<CR>XYYYY<CR>

e.g. ^Bh!^M1^M1000^M to set alarm 1 high setpoint to 1000 using Telix or similar (address 1)

Instructs unit to change value of high alarm setpoint. Format of returned data is:-

<ACK>hANXYYYY<CR>

Where:

<ACK> is Acknowledge (6 Dec, 06 Hex)

h echo command received 'h' (104 Dec, 68 Hex)

A is the responding unit's address

N is the setpoint number in ASCII e.g.: 31 Hex would be alarm 1 etc.

X is SPACE for positive and '-' for negative

YYYY is the setpoint value in ASCII

<CR> is a Carriage Return (13 Dec, 0D Hex)

If setpoint number specified is not present the return string will have the setpoint number set to zero (i.e.: <ACK>hA0XYYYY).

8. Tare Using Current Display Value: <STX>TA<CR>

e.g. ^BT\$^M using Telix or similar (address 4).

Instructs the unit to tare the instrument using the current display value (if tare has been selected in special functions mode). Format of returned data is:-

<ACK>TA<CR>

Where:

<ACK> is Acknowledge (6 Dec, 06 Hex)

T is echo command received 'T' (84 Dec, 54 Hex)

A is the responding unit's address

<CR> is a Carriage Return (13 Dec, 0D Hex)

If tare is not valid then the invalid command message will be returned (refer Invalid Command later).

9. Transmit Instrument Model and Version: <STX>IA<CR>

e.g. ^BI!^M using Telix or similar (address 1)

Instructs unit to return the model and version number of the instrument. Format of returned data is:-

<ACK>IACCX.X<CR>

Where:

<ACK> is Acknowledge (6 Dec, 06 Hex)

I is echo command received 'I' (73 Dec, 49 Hex)

A is the responding unit's address

CC is a one or two character model identifier (e.g.: 'E')

X.X is the version number (e.g.: '0.1')

<CR> is a Carriage Return (13 Dec, 0D Hex)

10. Invalid Command

If the command received from the host is not valid then the unit will return the following:-

<ACK>?A<CR>

Where:

<ACK> is Acknowledge (6 Dec, 06 Hex)

? is the character '?' (63 Dec, 3F Hex)

A is the responding unit's address

<CR> is a Carriage Return (13 Dec, 0D Hex)

If the address received from the host does not match the units address then the unit will not respond at all.

Other commands may be added to suit the particular configuration of each instrument. Value read commands will have the same format as the Transmit Primary Value command. Set Value commands will have the same format as the Set Low Alarm Setpoint command etc.

Host Timing Requirements for RS485 Operation:

RS485 operation requires the host to switch the RS485 transceiver to transmit before a command is sent. The instrument is capable of replying after 1 to 2 milliseconds. Therefore the host should switch the RS485 transceiver back to receive mode within 0.5 milliseconds after the last character of the command has been sent to ensure correct operation.

ASCII Code Conversion Listing

ASCII for control characters is shown in brackets. e.g. STX is entered as ^B if typing into a communications package for computer communication .

ASCII Char.	Dec	Hex	ASCII Char.	Dec	Hex
NUL (^@)	000	00	SP ()	032	20
SOH (^A)	001	01	!	033	21
STX (^B)	002	02	“	034	22
ETX (^C)	003	03	#	035	23
EOT (^D)	004	04	\$	036	24
ENQ (^E)	005	05	%	037	25
ACK (^F)	006	06	&	038	26
BEL (^G)	007	07	‘	039	27
BS (^H)	008	08	(040	28
HT (^I)	009	09)	041	29
LF (^J)	010	0A	*	042	2A
VT (^K)	011	0B	+	043	2B
FF (^L)	012	0C	,	044	2C
CR (^M)	013	0D	-	045	2D
SO (^N)	014	0E	.	046	2E
SI (^O)	015	0F	/	047	2F
DLE (^P)	016	10	0	048	30
DC1 (^Q)	017	11	1	049	31
DC2 (^R)	018	12	2	050	32
DC3 (^S)	019	13	3	051	33
DC4 (^T)	020	14	4	052	34
NAK (^U)	021	15	5	053	35
SYN (^V)	022	16	6	054	36
ETB (^W)	023	17	7	055	37
CAN (^X)	024	18	8	056	38
EM (^Y)	025	19	9	057	39
SUB (^Z)	026	1A	:	058	3A
ESC (^[)	027	1B	;	059	3B
FS (^)	028	1C	<	060	3C
GS (^)	029	1D	=	061	3D
RS (^)	030	1E	>	062	3E
US (^_)	031	1F	?	063	3F
@	064	40	‘	096	60

A	065	41	a	097	61
B	066	42	b	098	62
C	067	43	c	099	63
D	068	44	d	100	64
E	069	45	e	101	65
F	070	46	f	102	66
G	071	47	g	103	67
H	072	48	h	104	68
I	073	49	i	105	69
J	074	4A	j	106	6A
K	075	4B	k	107	6B
L	076	4C	l	108	6C
M	077	4D	m	109	6D
N	078	4E	n	110	6E
O	079	4F	o	111	6F
P	080	50	p	112	70
Q	081	51	q	113	71
R	082	52	r	114	72
S	083	53	s	115	73
T	084	54	t	116	74
U	085	55	u	117	75
V	086	56	v	118	76
W	087	57	w	119	77
X	088	58	x	120	78
Y	089	59	y	121	79
Z	090	5A	z	122	7A
[091	5B	{	123	7B
\	092	5C		124	7C
]	093	5D	}	125	7D
^^	094	5E	~	126	7E
_	095	5F	DEL	127	7F

Analog retransmission option

This addendum covers instruments with the analog retransmission board. This board allows retransmission of 4 - 20mA, 0-1V or 0-10V selectable via two sets of links. Refer to the main "Explanation of Functions" chapter for details of the functions ($rEE-$ and rEE^+) associated with these outputs and to the Function table for function listing. See separate manual addendum for PI control output operation functions ($rEEctrl$ set to on).

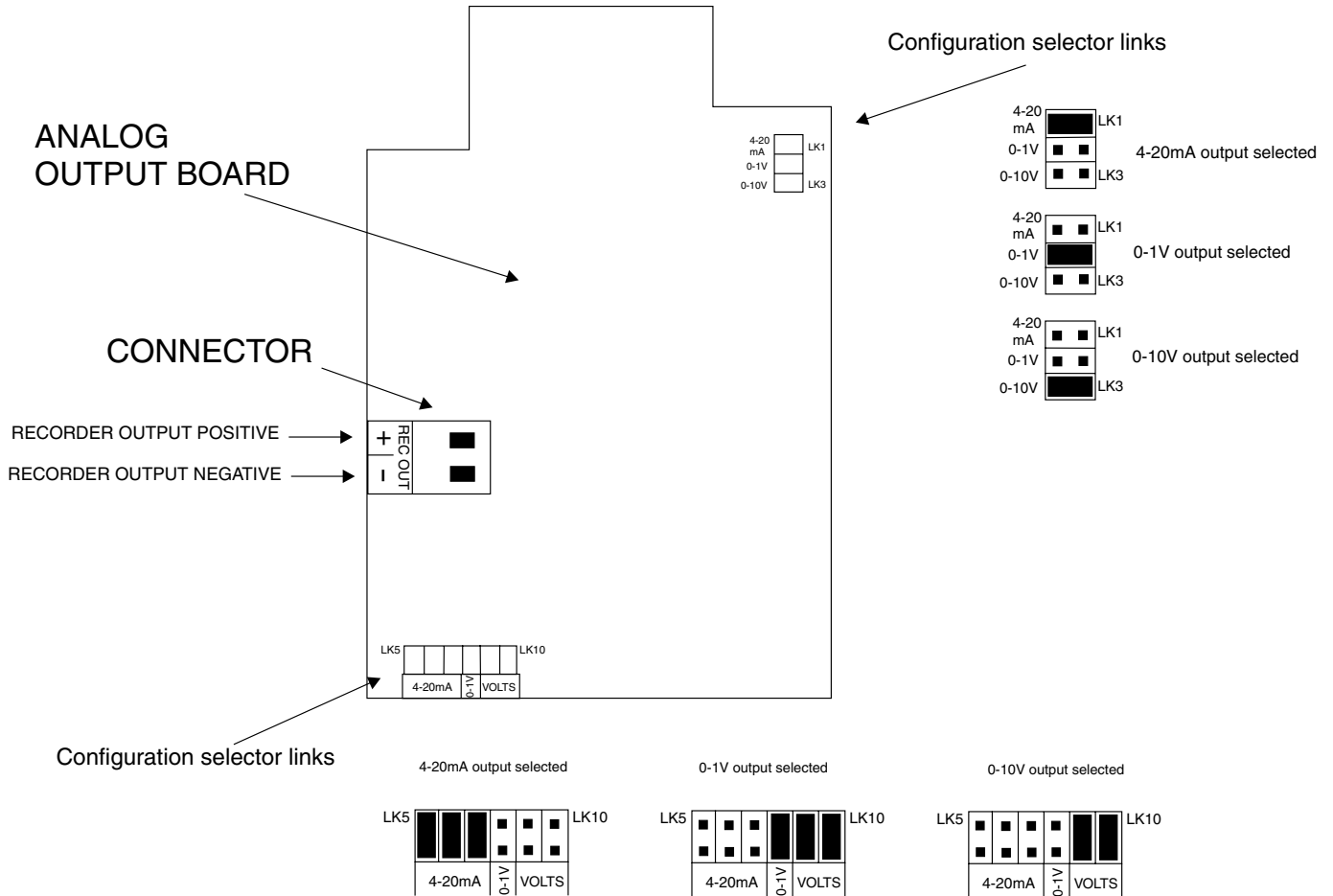
Electrical Connections

See diagram below. Refer to "Electrical Installation" chapter for general information on electrical connections. External connections to the board are via plug in connectors with screw terminals these terminals allow for wires up to 1.5mm² to be fitted.

Configuring the output board

The output board has facilities for 4-20mA, 0-1V and 0-10V retransmission and is factory supplied with all the necessary components for the output options required.

Two sets of PCB links are fitted to the circuit board to connect the electronic components for the correct output types, ensure that both sets of links have the required output selected. It may be necessary to alter the PCB links to change the output type (see link settings below).



Relay 3 and 4 option

When the relay 3 and 4 option is fitted two extra relays will be fitted as shown below. These relays have the same specification and setup functions as the standard relays 1 and 2.

