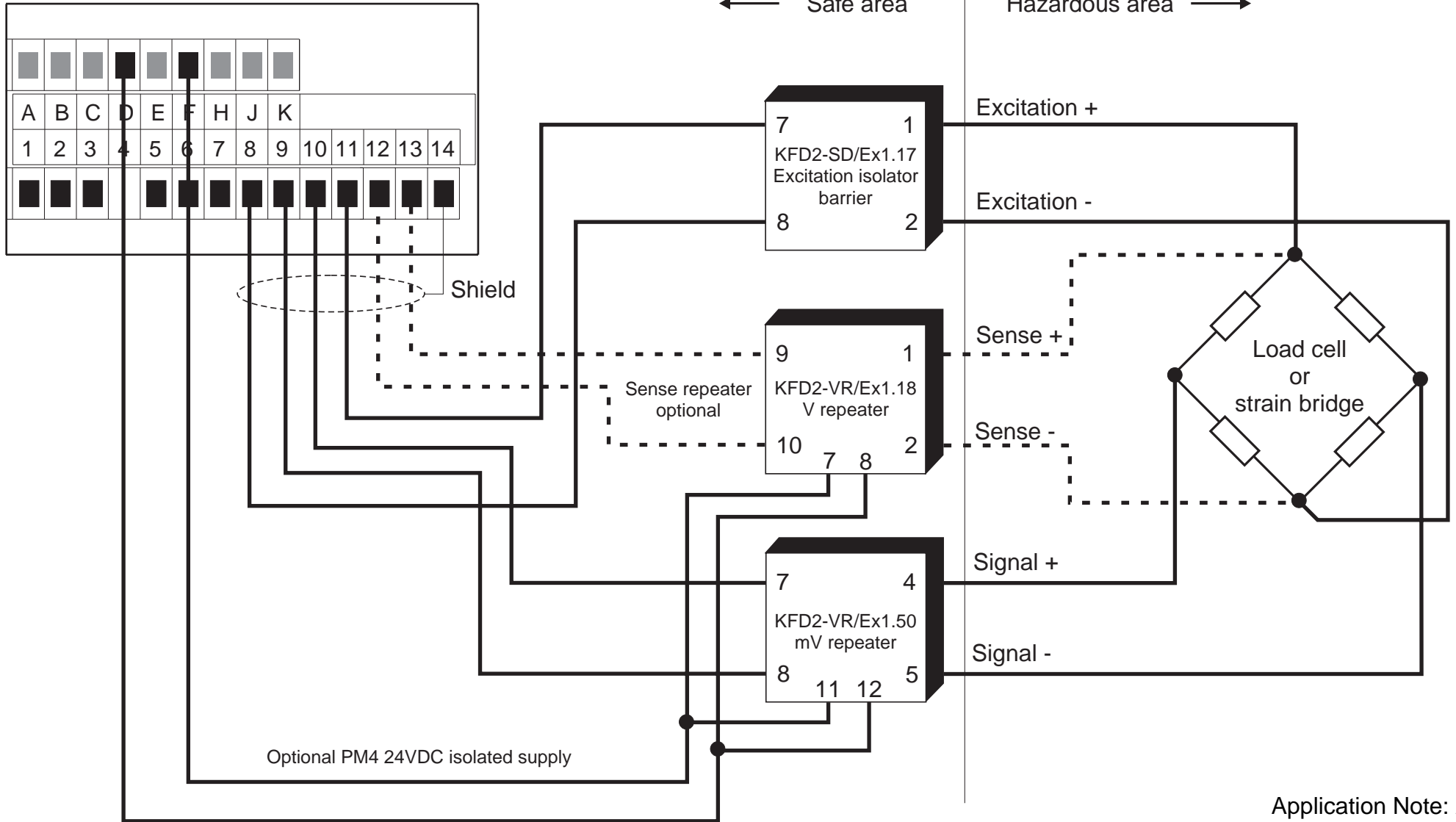


PM4-WT Rear

← Safe area

Hazardous area →



Note: In this configuration no options other than the 24V supply options should be used

Application Note: AN26



AMALGAMATED INSTRUMENT CO P/L
 5/28 LEIGHTON PL, HORNSBY NSW 2077
 AUSTRALIA PH (02) 9476 2244
 FAX (02) 9476 2902

TITLE: PM4-WT connection to Pepperl+Fuchs barriers & repeaters

DRAWN: AAF DRAWING No. PM4WTP+FCON3 REV. A

APPROVED: DATE: 15/09/98 SHEET: 1 of 1