

Rain Detector by TITAN Products Ltd

Changeover relay outputs

Features

- Microprocessor based
- 24VDC or 240VAC supply (model dependent)
- 2 Volt free changeover relays or single relay models
- Adjustable detection time (3 to 12 seconds) to prevent false alarms
- Heated detector surface to minimise effect of dew and fog

Description

The precipitation detection system by TITAN Products Ltd consists of 2 modules.

The WS-LDM-24V (24VDC powered), WS-LDM-240V (240VAC powered), WS-LDM1-24V (24VDC powered, single relay) and WS-LDM1-240V (240VAC powered, single relay) are microprocessor based monitor units designed to accept an input from a sensor detecting the presence of water or other conducting liquids.

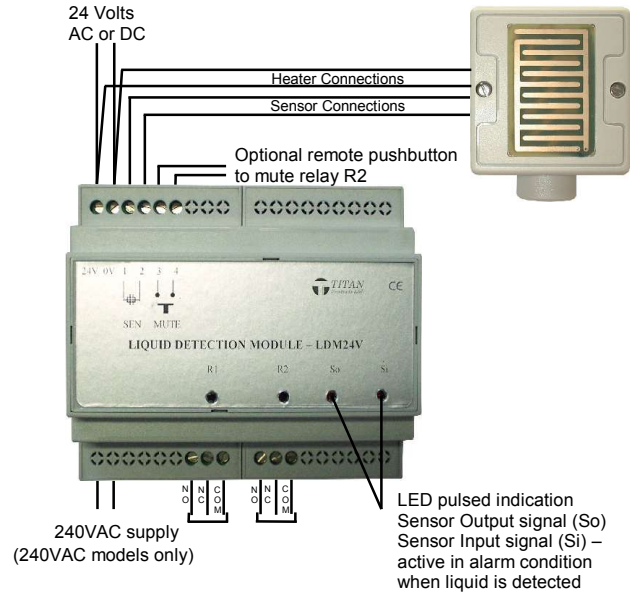
A precipitation detector head - WS-TPRD1 is attached to the control module. The WS-TRPD1 has a printed circuit pattern on its surface to detect precipitation. A heating element is included to accelerate evaporation and prevent condensation. This minimises false indication due to dew or fog and accelerates the indication recovery after precipitation has ceased.

The control module incorporates 1 or 2 changeover relays with voltage free contacts. LED indication is provided for relay status and power on.

A rotary switch under the cover is used to set the Detection Delay Time. Minimum setting 0 = 3 seconds with each switch point adding 1 second. The maximum, with a setting of 9, is 12 seconds delay

Order Code

WS-LDM-24V	Control module 24VAC/DC $\pm 15\%$
WS-LDM1-24V	As above but single relay
WS-LDM-240V	Control module 240VAC supply
WS-LDM1-240V	As above but single relay
WS-TPRD1	Precipitation detector head



Specifications

Enclosure	Moulded ABS
Supply	24 Volts AC or DC ($\pm 15\%$) 40mA (with heater) 240VAC (model dependant)
Output	Depending on model 1 or 2 volt free contacts: 5A at 240VAC
Operating temperature range	-10°C to +40°C

Dimensions

Module:

Length	106mm (90mm for single relay version)
Width	91mm (55mm for single relay version)
Depth	69mm (58mm for single relay version)

Sensor Head:

Length	75mm
Width	60mm
Height	38mm

WSTITANRAIN-2.5-0

AMALGAMATED INSTRUMENT CO PTY LTD

ACN: 001 589 439

Unit 5, 28 Leighton Place Hornsby
NSW 2077 Australia

Telephone: +61 2 9476 2244
Facsimile: +61 2 9476 2902

e-mail: sales@aicpl.com.au
Internet: www.aicpl.com.au