

Flood/Liquid Detector by TITAN Products Ltd

Changeover relay outputs

Features

- Microprocessor based
- 24VDC or 240VAC supply (model dependent)
- 2 Volt free changeover relays
- LED status indication
- Adjustable detection time (3 to 12 seconds) to prevent false alarms

Description

The flood/liquid detection system by TITAN Products Ltd consists of 2 modules.

The WS-LDM24V (24VDC powered) or WS-LDM240V (240VAC powered) is a microprocessor based monitor unit designed to detect the presence of water or other conducting liquids.

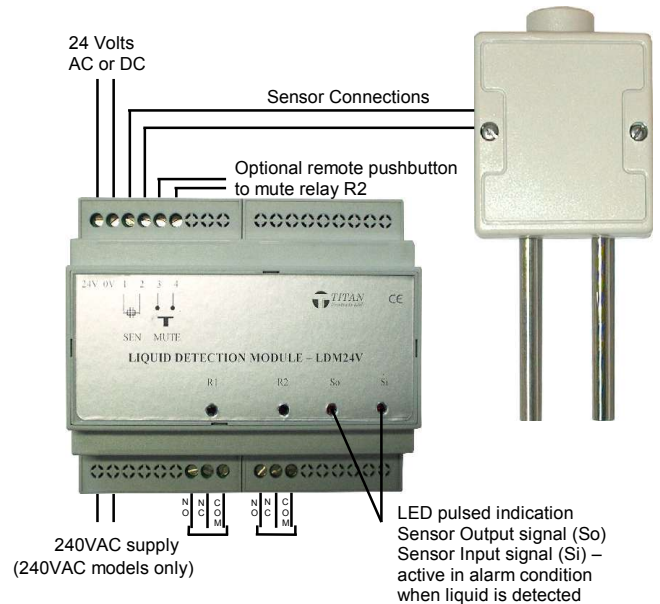
A flood detector head - WS-TPFD/P is attached to the control module. The WS-TPFD/P has 2 electrodes to provide a conductive path.

The control module incorporates 2 changeover relays with voltage free contacts. LED indication is provided for relay status and power on.

A rotary switch under the cover is used to set the Detection Delay Time. Minimum setting 0 = 3 seconds with each switch point adding 1 second. The maximum, with a setting of 9, is 12 seconds delay

Order Code

WS-LDM24V	Control module 24VAC/DC $\pm 15\%$
WS-LDM240V	Control module 240VAC supply
WS-TPFD/P	Flood/liquid detector head



Specifications

Enclosure	Moulded ABS
Supply	24 Volts AC or DC ($\pm 10\%$) or 240VAC (model dependant)
Output	Volt free contacts: 5A at 240VAC
Operating temperature range	-10°C to +40°C

Dimensions

Module:	
Length	106mm
Width	91mm
Depth	69mm
Sensor Head:	
Length (incl. probes)	140mm
Width	60mm
Depth	38mm

WSTITANFLOOD-2.2-0

AMALGAMATED INSTRUMENT CO PTY LTD

ACN: 001 589 439

Unit 5, 28 Leighton Place Hornsby
NSW 2077 Australia

Telephone: +61 2 9476 2244
Facsimile: +61 2 9476 2902

e-mail: sales@aicpl.com.au
Internet: www.aicpl.com.au