

DIN Rail Mount Indicators

RM4-RTC Real Time Clock

Description

The RM4-RTC is a DIN rail mounted process unit which can function as a Display/Alarm/Time Switch/Master Clock

The instrument features flexible pushbutton calibration and programming. All settings and calibration scaling is carried out via pushbuttons.

The real time clock monitor has a selection of display options. The clock may be set to display in 24 or 12 hour format.

User selectable display formats are:

Hours.Mins e.g. **14.22**

Days e.g. **364**

Day.Month e.g. **07.11**

Month.Day e.g. **11.07**

Clock synchronisation may be via internal clock chip, 50Hz or 60Hz mains synchronisation or optional GPS satellite transmission. The clock circuitry is backed up by battery which means that, in the case of power failure, the time does not need to be reset when power is re-applied to the display.

Two alarm relays are provided as standard. Optional outputs include extra relays or serial communications.

In "hours.minutes" mode up to 32 alarm times can be set. The user selects which alarm relay will operate for each setpoint, which days of the week the setpoint will be valid and the duration of the alarm activation i.e. the length of time (must be less than one day) for which the relay will activate when it sees a valid alarm time.

The RM4-RTC can be set up with other RM4-RTC instruments or their panel meter (PM4-RTC) or large digit display (LD-RTC) equivalents to be a master or slave clock when used with the serial communications option. For example the RM4-RTC could be housed in a convenient site for adjustment and used as a master clock controlling large digit displays mounted high on a wall.

An external input is configurable to perform one of various functions e.g. Two level brightness switching, setpoint only access or security lockout.

Electrical isolation between power supply and retransmission eliminates grounding and common mode voltage problems.



Features

- Battery backed clock circuit
- Versatile display modes
- Can be used as a master or slave clock when optional serial communications installed
- 240V, 110V, 48V, 42V, 32V, 24VAC, or 12 to 48VDC (factory configured)
- Two alarm/control relay outputs (5A) with visual indication of relay state via annunciator LEDs
- Up to 32 setpoint times can be programmed in "hours.minutes" display mode.
- Remote inputs for reset and to perform special functions including display hold, peak hold, high memory, low memory, brightness level switching, reset (zero), grand total reset or rate/total display toggle
- 5 digit LED display and relay/alarm status LEDs
- Isolation between input signal, output and supply
- Programmable display brightness
- Auto dim feature conserves power
- Rugged aluminium DIN rail mount housing
- 2 year guarantee

Options

- GPS synchronisation
- Isolated RS232, RS422 or RS485 serial communications with choice of ASCII or Modbus RTU protocol
- Extra relay outputs



RM4RTC-3.3-0

AMALGAMATED INSTRUMENT CO PTY LTD

ACN: 001 589 439

Unit 5, 28 Leighton Place Hornsby
NSW 2077 Australia

Telephone: +61 2 9476 2244
Facsimile: +61 2 9476 2902

e-mail: sales@aicpl.com.au
Internet: www.aicpl.com.au

Specifications

Technical Specifications

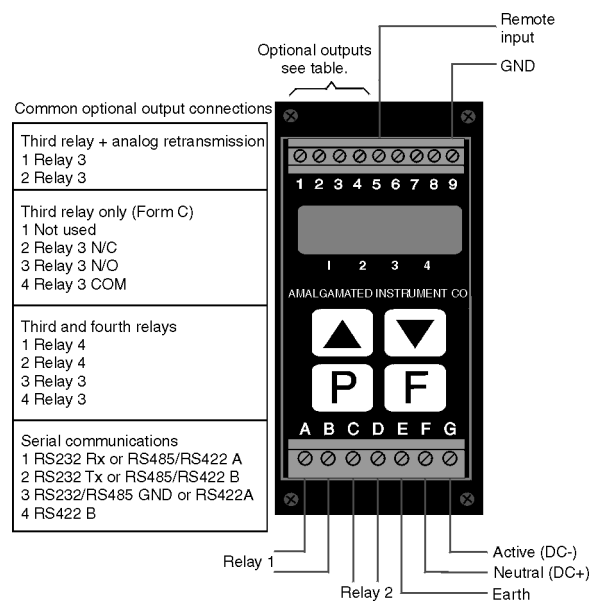
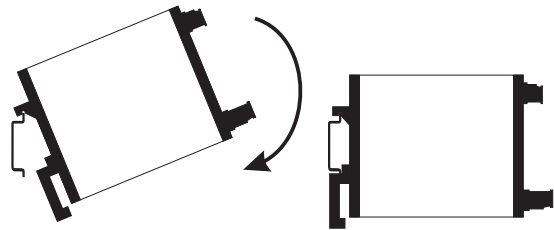
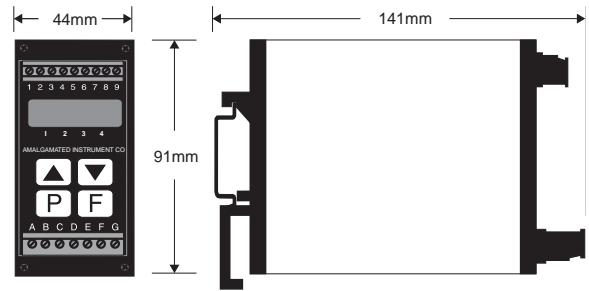
- Accuracy: Internal oscillator: ±30 sec/month
 GPS sync: Accurate to GPS system ±0.1 sec
 Mains sync: Accurate to mains frequency. Where frequency is controlled this gives a typical accuracy of ±1 second
- Microprocessor: MC68HC11 CMOS
 Ambient temp: -10°C to 60°C
 Humidity: 5% to 95% non condensing
 Display: LED 5 digit 7.6mm and alarm annunciator LEDs
- Power supply: 240V, 110V, 48V, 42V, 32V, 24VAC
 50/60Hz, or 12 to 48VDC (factory configured)
- Power usage: AC supply 6 VA max,
 DC supply, <6W (depends on load & options)
- Output (standard): 2 x relays, form A
 Rated 5A resistive 240VAC
- Relay action: Programmable N.O. or N.C.

Output Options - see below for full list

- Third relay : Rated 0.5A resistive at 30VAC or DC, form C if no other options fitted (otherwise form A)
- Fourth relay: Rated 0.5A resistive at 30VAC or DC, form A
- Serial Comms: Serial RS232, RS485 or RS422 choice of ASCII or Modbus RTU protocols (factory configured)

Physical Characteristics

- Case size: 44mm x 91mm x 141mm
 Connections: Plug in screw terminals
 2.5mm² wire
 Weight: 500g basic model,
 550g with option card



RM4-RTC Order codes

The last section is for optional outputs, if required. (Note: only one of the optional outputs below can be fitted).

