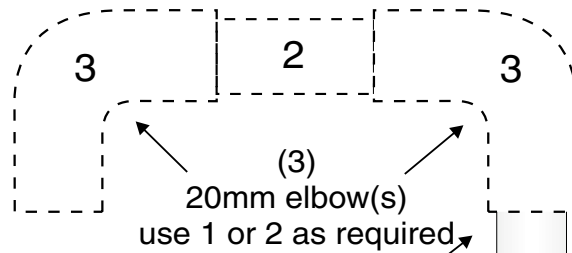


Application Note: Number AN11

Probe Submersible Assembly

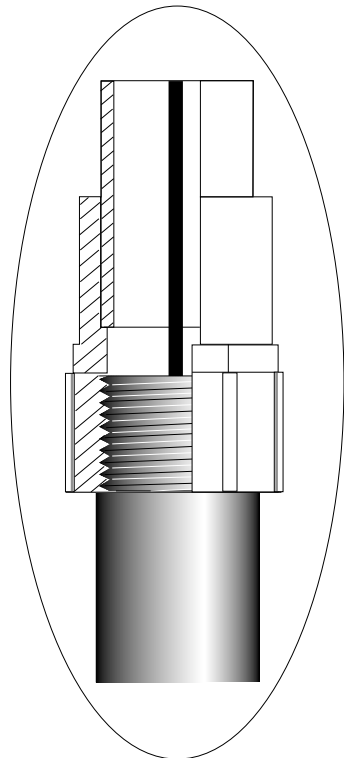
In submersion applications the electrode cable should not be allowed to become wet since this will eventually lead to electrode failure. A submersion assembly can be used to ensure that the cable remains dry when the electrode is submerged.

Parts List	
(1)	3/4" use Vinidex 34170 or equivalent 1/2" use Vinidex 34150 or equivalent
(2)	Vinidex 13520 or equivalent
(3)	Vinidex 35340 or equivalent



DO NOT GLUE THIS JOINT
 apply lubricant or silicon sealant
 so it can be removed for electrode replacement
 (to allow cable to be twisted)
SUPPORT LOWER DOWN
DO NOT IMMERSE THIS JOINT

Exploded, cut away view



(2)
 20mm PVC pipe
 cut to required length

(1)
 20mm pipe to
 3/4" (or 1/2")
 thread adaptor

pH or ORP
 electrode

