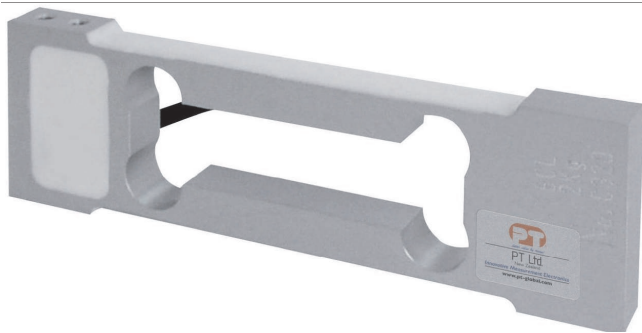


# SG-ASP6-B Series

High precision, low capacity

Single point load cell



**Capacities: 0-300gm to 0-3kg**

**Aluminium Construction**

**Sealed and coated for environmental protection**

**200 x 200mm platform size**

**Ideal model for high precision weighing - pharmaceuticals, jewellery etc**

Model SG-PTASP6-B is a high precision, low capacity single point load cell designed for applications in areas such as jewellery, pharmaceuticals, etc. The cells are rated in the C3 accuracy class.

The cell features superior accuracy over ranges of 0-300gm to 0-3kg. The cells suit a platform size of 200mm x 200mm

The SG-PTAST6-B cells are fully sealed and heavily anodised for protection

Capacity	Order Code
0-0.3kg (300gm)	SG-PTASP6-B-300
0-0.6kg (600gm)	SG-PTASP6-B-600
0-1.2kg (1200gm)	SG-PTASP6-B-1200
0-3kg	SG-PTSP6-B-3KG

LOP\_ASP6-1.0-0

---

**AMALGAMATED INSTRUMENT CO PTY LTD**

ACN: 001 589 439

Unit 5, 28 Leighton Place Hornsby  
NSW 2077 AUSTRALIA

Telephone: +61 2 9476 2244  
Facsimile: +61 2 9476 2902

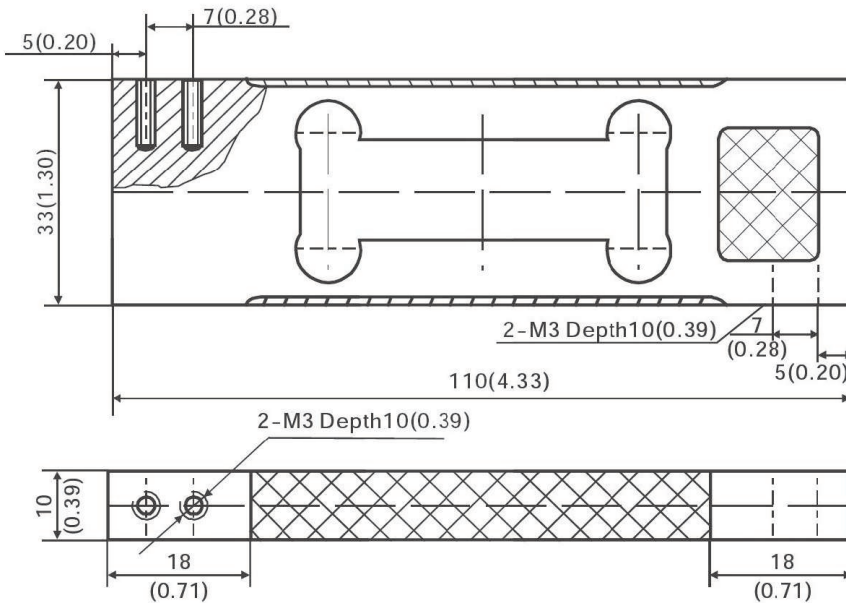
e-mail: [sales@aicpl.com.au](mailto:sales@aicpl.com.au)  
Internet: [www.aicpl.com.au](http://www.aicpl.com.au)



## SG-ASP6-B Specifications

Rated Capacities (0kg up to the capacity at right)	300gm, 600gm, 1.2kg (1200gm), 3kg (3000gm)
Rated Output	0.9 ±0.1 mV/V
Combined Error	0.02% of FSO
Temperature Effect: on Output	0.03% of FSO / 10°C
on Zero	0.03% of FSO / 10°C
Off Centre Loading Error	0.02% of FSO
Zero Balance	4% of capacity
Temperature Range: Operating	-35 to +65 °C
Compensated	-10 to +40 °C
Safe Overload	150% of rated capacity
Ultimate Overload	300% of rated capacity
Excitation: Recommended	5 to 12 Volts AC or DC
Maximum	18Volts AC or DC
Input Impedance	394 ±6Ω
Output Impedance	350 ±3Ω
Insulation Impedance	>5000MΩ (at 50VDC)
Construction	Anodised Aluminium Alloy
Environmental Protection	Standard: IP65
Cable	0.45m 5.0mm diameter, 4-core screened PVC
Weight (all capacities)	0.1kg

### Dimensions



#### Wiring connections - colour code

Excitation +ve	Red
Excitation - ve	Black
Signal +ve	Green
Signal -ve	White