

# Large digit displays - 38, 45, 57 or 58mm digit height models

## LD-WT Load cell/Strain bridge input

The LD-WT with the 38, 45, 57 & 58mm displays are ideal for applications where load, weight, pressure or level need to be visible from a distance. Weighbridges, storage tanks and silos are just some of the possible applications. The display can be scaled to display in different engineering units such as metres (level), percentage (level, contents or capacity), kg or tonnes (load or weight).

### Displays



6 digit 38mm high red LED (visibility to 18m)



5 digit 45mm high red LED (visibility to 20m)



4 digit 57mm high red LED (visibility to 25m)

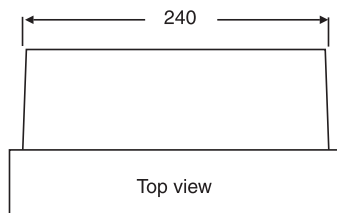
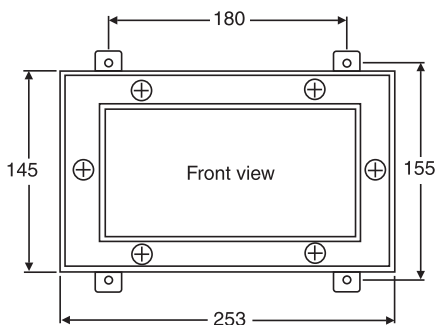


4 digit high contrast 58mm high green LED (visibility to 25m)

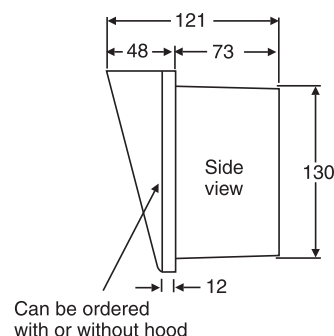


### Features

- 4 or 6 wire mV/V input with 5, 10 or 15VDC excitation
- 6 x 38mm LED - visibility rating to 18m
- 5 x 45mm LED - visibility rating to 20m
- 4 x 57mm or 58mm LED - visibility rating to 25m
- High contrast, daylight viewable 38 or 58mm versions in green, red, amber or white
- Load, weight, pressure display from mV/V output strain bridge transducer
- Totalling function available using remote pushbutton
- IP65 rated wall mount enclosure
- Dual 4-20mA analog retransmission model available
- 4 configurable setpoint relays standard rated at 240VAC, 5A into a resistive load, form C
- Panel mount kit available
- Pushbutton setup and calibration, display can be scaled without special tools
- 2 calibration memories can be stored
- 3 configurable remote inputs as standard
- Remote inputs can be configured to one of a wide range of functions including zero, tare, peak hold, etc.
- Programmable digital filter
- RS232 or RS485 serial communications optionally available
- Inbuilt data logger optionally available
- The auto-brightness feature for LED displays varies the display brightness to suit the ambient light
- 2 year guarantee
- See separate brochures for 100mm and 200mm display models



All dimensions in mm



LDWT384557-3.0-0

**AMALGAMATED INSTRUMENT CO PTY LTD**

ACN: 001 589 439

Unit 5, 28 Leighton Place Hornsby  
NSW 2077 Australia

Telephone: +61 2 9476 2244  
Facsimile: +61 2 9476 2902

e-mail: sales@aicpl.com.au  
Internet: www.aicpl.com.au

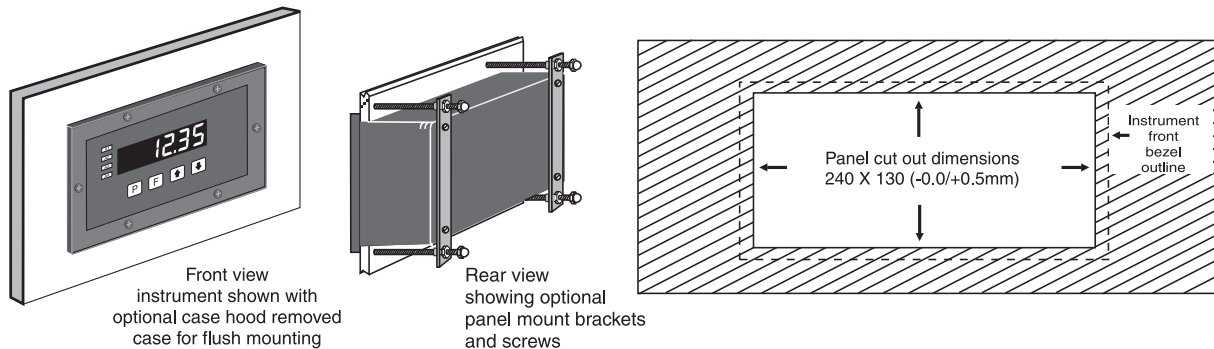
## Specifications

Input:	4 or 6 wire load cell, pressure transducer or strain bridge with mV/V output
Accuracy:	Up to 0.005% of full scale (alarms and display) dependant on sample rate, mV/V input, calibration method and digital filter setting Analog retransmission better than 0.05% system accuracy
Sample rate:	10 to 100 samples/second selectable
Display update:	4 times per second
ADC resolution:	Up to 22 bits
ADC conversion:	Sigma delta
Microprocessor:	MC68HC11 CMOS
Ambient temp:	LED models -10°C to 60°C
Humidity:	5% to 95% non condensing
Display types:	38mm 6 digit red, green, amber or white LED with alarm annunciators and 4 way keypad 45mm 5 digit red LED with alarm annunciators and 4 way keypad 57mm 4 digit red or 58mm 4 digit red, green, amber or white LED See separate LD-WT brochures for other display sizes
Power supply:	See order code table (type is factory configured)
Power usage:	AC supply 15VA max, DC supply typically 100mA at 24VDC for 38 & 45mm, 250mA at 24VDC for 57mm for instrument with no output options (plus current for load cell which depends on impedance)
Outputs (standard):	4 x relays, form c, rated at 240VAC, 5A resistive
Outputs (optional):	See order code table (type is factory configured)
Relay action:	Programmable N.O. or N.C.
Environmental rating:	IP65
Weight:	1.3 kg
Dimensions:	See front page

## Panel mounting

The instrument is provided with removable surface (e.g.wall) mounting tabs mounting. A panel mount kit is optionally available which allows the instrument to be mounted via a panel cut out. If required the instrument can be optionally supplied with the front hood removed to allow a more flush panel mount fitting. Part number for panel mount kit: LD-MTG-PM-KIT

Part number for hood removal: LD-HOOD-REMOVAL



LDWT384557-3.0-0

**AMALGAMATED INSTRUMENT CO PTY LTD**

ACN: 001 589 439

Unit 5, 28 Leighton Place Hornsby  
NSW 2077 Australia

Telephone: +61 2 9476 2244  
Facsimile: +61 2 9476 2902

e-mail: sales@aicpl.com.au  
Internet: www.aicpl.com.au

## LD-WT order codes for 38, 45 or 57mm displays

The last section is for optional outputs (if required).

Optional outputs are factory configured. Analog outputs cannot be retrofitted.

LD-WT-			
			<b>Power supply</b>
240	-----		240VAC
110	-----		110VAC
ACD	-----		24-48VAC
DC	-----		12-48VDC isolated
			<b>Display type</b>
38R6	-----		6 digit 38mm red LED - with front pushbuttons and alarm annunciators
38D6	-----		6 digit 38mm red LED - with front pushbuttons and alarm annunciators, high contrast daylight viewable
38G6	-----		6 digit 38mm green LED - with front pushbuttons and alarm annunciators, high contrast daylight viewable
38A6	-----		6 digit 38mm amber LED - with front pushbuttons and alarm annunciators, high contrast daylight viewable
38W6	-----		6 digit 38mm white LED - with front pushbuttons and alarm annunciators, high contrast daylight viewable
45R5	-----		5 digit 45mm red LED - with front pushbuttons and alarm annunciators
57R4	-----		4 digit 57mm red LED
58R4	-----		4 digit 58mm red LED - high contrast daylight viewable
58G4	-----		4 digit 58mm green LED - high contrast daylight viewable
58A4	-----		4 digit 58mm amber LED - high contrast daylight viewable
58W4	-----		4 digit 58mm white LED - high contrast daylight viewable
			See separate brochures for 100 and 200mm display versions
			<b>Optional outputs</b>
232	-----		RS232 serial communications
485	-----		RS485 serial communications - non isolated
485 - I	-----		RS485 serial communications - isolated
DL1 - 232	-----		32k internal datalogger plus RS232 serial communications
DL1 - 485	-----		32k internal datalogger plus RS485 serial communications - non isolated
DL1 - 485 - I	-----		32k internal datalogger plus RS485 serial communications - isolated
DL2 - 232	-----		128k internal datalogger plus RS232 serial communications
DL2 - 485	-----		128k internal datalogger plus RS485 serial communications - non isolated
DL2 - 485 - I	-----		128k internal datalogger plus RS485 serial communications - isolated
AA	-----		Dual 4-20mA output
AA - 232	-----		Dual 4-20mA output plus RS232 serial communications
AA - 485	-----		Dual 4-20mA output plus RS485 serial communications - non isolated
AA - 485 - I	-----		Dual 4-20mA output plus RS485 serial communications - isolated
AA - DL1 - 232	-----		Dual 4-20mA output plus 32k internal datalogger plus RS232 serial communications
AA - DL1 - 485	-----		Dual 4-20mA output plus 32k internal datalogger plus RS485 serial communications - non isolated
AA - DL1 - 485 - I	-----		Dual 4-20mA output plus 32k internal datalogger plus RS485 serial communications - isolated
AA - DL2 - 232	-----		Dual 4-20mA output plus 128k internal datalogger plus RS232 serial communications
AA - DL2 - 485	-----		Dual 4-20mA output plus 128k internal datalogger plus RS485 serial communications - non isolated
AA - DL2 - 485 - I	-----		Dual 4-20mA output plus 128k internal datalogger plus RS485 serial communications - isolated

## Applications/input types available with large digit display models

- Analog input, process transmitters etc.  $\pm 20\text{mA}$ , 4-20mA or  $\pm 2.5\text{VDC}$  or  $\pm 25\text{VDC}$
- Pulse input, rate, total, count, grand total (encoders, switches, proximity sensors etc.)
- Temperature - RTD, thermocouple, 4-20mA
- Weighing - 4 or 6 wire mV/V output loadcells
- Pressure measurement - 4 or 6 wire mV/V pressure sensors or 4-20mA analog transducers
- Liquid level measurement - 4 or 6 wire mV/V pressure sensors or 4-20mA analog transducers
- Serial input - RS232, RS485, Serial current loop for slave displays etc.
- Synchronous Serial Interface (SSI) for high accuracy position etc. measurement
- Binary, BCD or Gray Code input
- Real Time clock with alarms
- Multifunction timer - elapsed time, stopwatch, run time etc.

LDWT384557-3.0-0

**AMALGAMATED INSTRUMENT CO PTY LTD**

ACN: 001 589 439

Unit 5, 28 Leighton Place Hornsby  
NSW 2077 Australia

Telephone: +61 2 9476 2244  
Facsimile: +61 2 9476 2902

e-mail: sales@aicpl.com.au  
Internet: www.aicpl.com.au