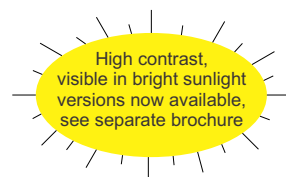


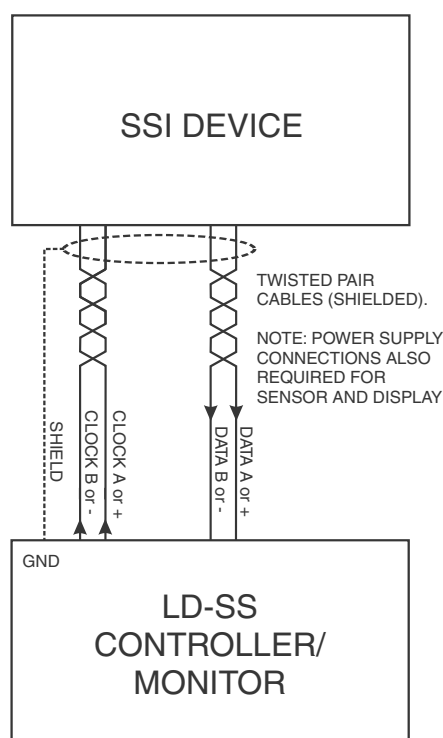
Large Digit Display – 200mm display height LD-SS Synchronous Serial Interface (SSI)



Description

The 200mm digit height LD-SSI displays are ideal for applications where value from SSI input needs to be visible from a distance (rated for up to 100 metres).

Inputs from SSI binary or SSI gray code at up to 31 bits can be accepted with the LD-SS providing the SSI clock signals. The display can be scaled to display in engineering units such as mm etc.



Features

- Visible from 100 metres
- 4 digit 200mm Red LED
Green, Amber or White available to special order
- Gray code or binary SSI input (up to 31 bits)
- Versatile scaling methods
- 90kHz or 600kHz clock frequency selectable
- IP65 rated wall mount enclosure, powder coated steel standard, stainless steel optional
- 2 configurable setpoint relays standard rated at 240VAC, 5A into a resistive load, form C
- Pushbutton setup and scaling
- Two sets of scaling can be entered and these can be selected for the display via one of remote inputs e.g. display could be scaled in both mm and metres.
- Remote inputs can be configured to one of a wide range of functions including zero, display hold, scaling switching, peak hold, etc.
- Programmable digital filter
- The auto-brightness feature for LED displays varies the display brightness to suit the ambient light
- 2 year guarantee
- See separate brochures for 38, 45, 57mm and 100mm display models



LDSS200-2.9-0

AMALGAMATED INSTRUMENT CO PTY LTD

ACN: 001 589 439

Unit 5, 28 Leighton Place Hornsby
NSW 2077 Australia

Telephone: +61 2 9476 2244
Facsimile: +61 2 9476 2902

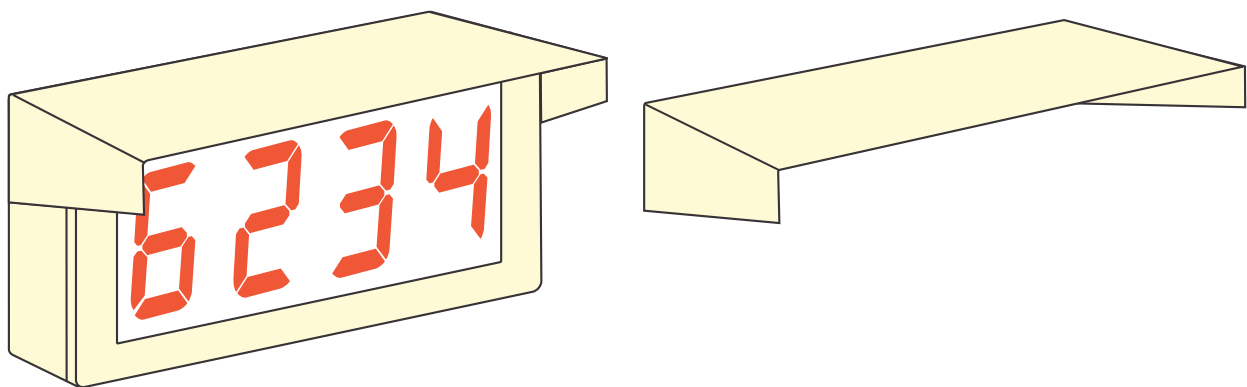
e-mail: sales@aicpl.com.au
Internet: www.aicpl.com.au

Specifications

Input:	SSI - Synchronous Serial Interface (binary or Gray Code coded SSI input, programmable) up to 31 bits
Clock rate	90kHz or 600kHz selectable
Sensor supply	24VDC (50mA max.)
Display:	200mm 4 digit red LED (green, amber or white available to special order) with auto brightness capability in either standard brightness or high contrast version See separate brochures for other display sizes
Microprocessor	MC68HC11 CMOS
Ambient temp	-10°C to 60°C
Humidity	5% to 95%
Outputs (standard):	2 x relays, form C, rated at 240VAC, 5A resistive
Outputs (optional):	See order code table
Relay action:	Programmable N.O. or N.C.
Environmental rating:	IP65
Size:	850 x 360 x 155mm
Weight:	13kg
Power Supply:	240/110VAC 50/60Hz or 48/42/32/24VAC or DC isolated supply 12 to 48VDC or 24VDC non isolated supply (type is factory configured)
Power Consumption: (standard brightness)	AC supply: 50VA max, DC supply: depends on supply voltage, typically 1.3A for 24VDC

Optional shrouds

Shroud kits for 200mm displays are made from a single piece of powder coated zinc coated steel to match the metal enclosures. The overhang of the shroud is 150mm.



LDSS200-2.9-0

AMALGAMATED INSTRUMENT CO PTY LTD

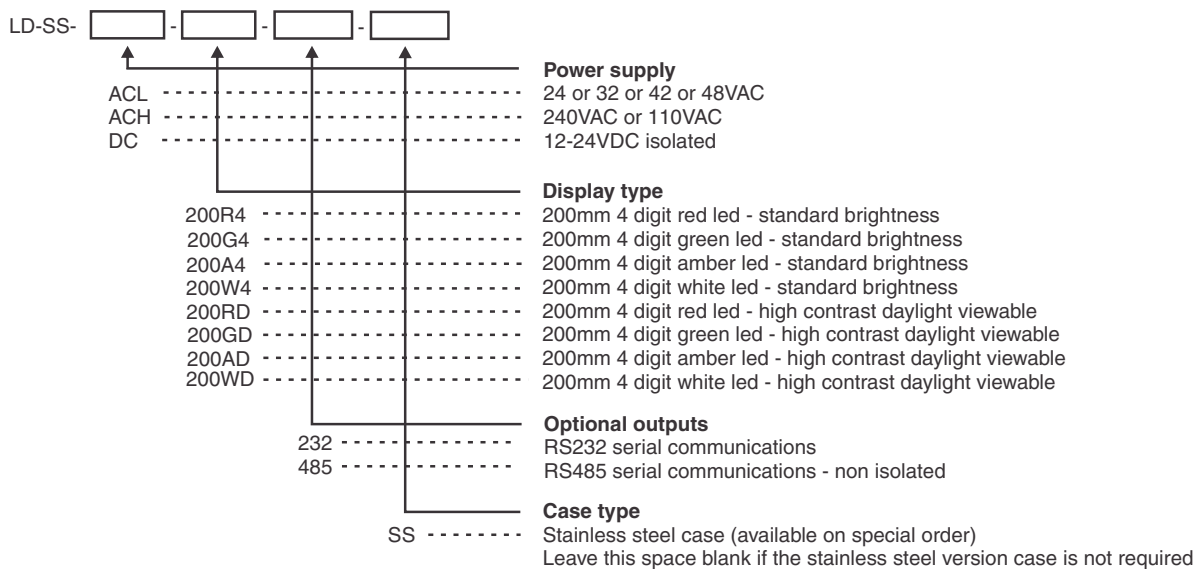
ACN: 001 589 439

Unit 5, 28 Leighton Place Hornsby
NSW 2077 Australia

Telephone: +61 2 9476 2244
Facsimile: +61 2 9476 2902

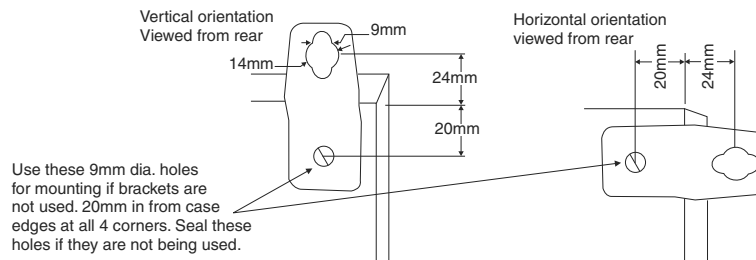
e-mail: sales@aicpl.com.au
Internet: www.aicpl.com.au

LD-SS order codes for 200mm displays



Mounting brackets

The 200mm models are shipped with 4 metal brackets and mounting hardware. The diagrams illustrate vertical and horizontal installation of these brackets. If mounting without the brackets, then the 9mm diameter case holes provided for the brackets can be used as alternative mounting holes. If the brackets are not used in mounting, then these holes should be sealed against dust and water.



Applications/input types available with large digit display models

- Analog input, process transmitters etc. $\pm 20\text{mA}$, 4-20mA or $\pm 2.5\text{VDC}$ or $\pm 25\text{VDC}$
- Pulse input, rate, total, count, grand total (encoders, switches, proximity sensors etc.)
- Temperature - RTD, thermocouple, 4-20mA
- Weighing - 4 or 6 wire mV/V output loadcells
- Pressure measurement - 4 or 6 wire mV/V pressure sensors or 4-20mA analog transducers
- Liquid level measurement - 4 or 6 wire mV/V pressure sensors or 4-20mA analog transducers
- Serial input - RS232, RS485, Serial current loop for slave displays etc.
- Synchronous Serial Interface (SSI) for high accuracy position etc. measurement
- Binary, BCD or Gray Code input
- Real Time clock with alarms
- Multifunction timer - elapsed time, stopwatch, run time etc.

LDSS200-2.9-0

AMALGAMATED INSTRUMENT CO PTY LTD

ACN: 001 589 439

Unit 5, 28 Leighton Place Hornsby
NSW 2077 Australia

Telephone: +61 2 9476 2244
Facsimile: +61 2 9476 2902

e-mail: sales@aicpl.com.au
Internet: www.aicpl.com.au