

Large digit displays - 20, 38, 45, 57, 58mm digit height models

LD5-TR and LE5-TR ratemeter/totlaiser

The LD5-TR and LE5-TR with the 20mm, 38mm, 45mm, 57mm & 58mm displays will be ideal for applications where rate and total indications need to be visible at a distance. The instrument can be used in rate, total or rate plus total modes with comprehensive alarm functions. LE5 model versions include Ethernet communications, datalogger memory and web page. High contrast versions, viewable even in bright sunlight are available in 38mm and 58mm digit high in red, green, amber or white.

Displays



6 digit 20mm high red LED (visibility to 10m)



6 digit 38mm high red LED (visibility to 18m)



5 digit 45mm high red LED (visibility to 20m)

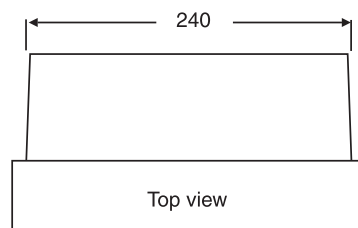
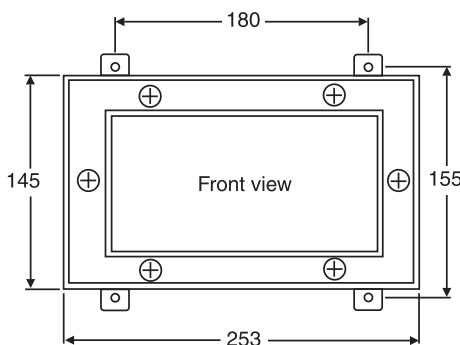


4 digit high contrast 58mm high green LED
(visibility to 25m)

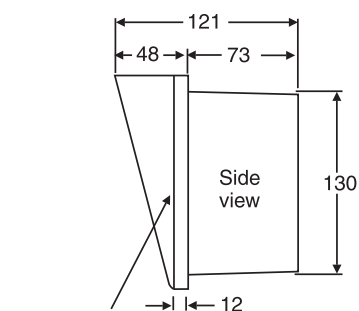


Features

- 6 x 20mm LED - visibility rating to 10m
- 6 x 38mm LED - visibility rating to 18m
- 5 x 45mm LED - visibility rating to 20m
- 4 x 57mm or 58mm LED - visibility rating to 25m
- High contrast, daylight viewable 38 or 58mm versions in green, red, amber or white
- Rate and/or total display from pulse input
- Up to 100kHz input frequency
- "Timeout" function for very low frequency input
- Totaliser can count up or down
- Compatible with a wide range of input sensor types with a pulse output
- IP65 rated wall mount enclosure
- 4 configurable setpoint relays standard rated at 240VAC, 5A into a resistive load
- Panel mount kit available
- Pushbutton setup and scaling
- Remote inputs can be configured to one of a wide range of functions including zero, display hold, peak hold, etc.
- Programmable digital filter
- Ethernet, datalogger with web page in LE5 models
- Isolated RS232/RS485 serial communications optionally available. Both RS232 and RS485 are fitted but only once at a time can be used
- The auto-brightness feature for LED displays varies the display brightness to suit the ambient light
- 2 year guarantee



All dimensions in mm



Can be ordered with or without hood

LD5TMR3858-1.1-0

AMALGAMATED INSTRUMENT CO

ABN: 80 619 963 692

Unit 5, 28 Leighton Place Hornsby
NSW 2077 Australia

Telephone: +61 2 9476 2244
Facsimile: +61 2 9476 2902

e-mail: sales@aicpl.com.au
Internet: www.aicpl.com.au

Specifications

Input:	Selectable types inc: NPN, PNP, switch contact, magnetic pickup, output from TTL, CMOS, square wave, Namur
Reset/preset input	Voltage free switch contact or up to 24VDC signal
Memory	Totaliser memory ferro ram stored, retention typically 45 years with no power Data logger memory stored in flash memory, retention typically 100 years with no power (LE5 model only)
Input Impedance	1M Ω standard or 12k Ω in attenuated input mode
Input frequency:	100kHz max. in high frequency mode
Display types:	20mm 6 digit red LED with alarm annunciators and 4 way keypad 38mm 6 digit red, green, amber or white LED with alarm annunciators and 4 way keypad 45mm 5 digit red LED with alarm annunciators and 4 way keypad 57mm 4 digit red or 58mm 4 digit red, green, amber or white LED
Sensor supply	5 VDC or 12 or 24VDC, pushbutton selectable (50mA max.)
Ambient temp:	-10°C to 60°C
Humidity:	5% to 95% non condensing See separate brochures for other display sizes
Power supply:	See order code table (type is factory configured)
Power usage:	AC supply 15VA max, DC supply typically 100mA at 24VDC for 38 & 45mm standard brightness, 250mA at 24VDC for 57mm or 38 & 58mm high contrast
Outputs (standard):	4 x relays, (1 x form C, 3 x form A), rated at 240VAC, 5A resistive
Outputs (optional):	See order code table (type is factory configured)
Relay action:	Programmable N.O. or N.C.
Environmental rating:	IP65
Weight:	1.3 kg
Dimensions:	See front page

Applications/input types available with large digit display models - see individual brochures

- 8 channel scanning, RTD, Thermocouple and 4-20mA/DCV input versions available
- Analog input, process transmitters etc. ± 20 mA, 4-20mA or ± 2.5 VDC or ± 25 VDC
- Pulse input, rate, total, count, grand total (encoders, switches, proximity sensors etc.)
- Temperature - RTD, thermocouple, 4-20mA
- Weighing - 4 or 6 wire mV/V output loadcells
- Pressure measurement - 4 or 6 wire mV/V pressure sensors or 4-20mA analog transducers
- Liquid level measurement - 4 or 6 wire mV/V pressure sensors or 4-20mA analog transducers
- Serial input - RS232, RS485 for slave displays etc.
- Synchronous Serial Interface (SSI) for high accuracy position etc. measurement
- Binary, BCD or Gray Code input
- Real Time clock with alarms
- Multifunction timer - elapsed time, stopwatch, run time etc.

LD5TMR3858-1.1-0

AMALGAMATED INSTRUMENT CO

ABN: 80 619 963 692

Unit 5, 28 Leighton Place Hornsby
NSW 2077 Australia

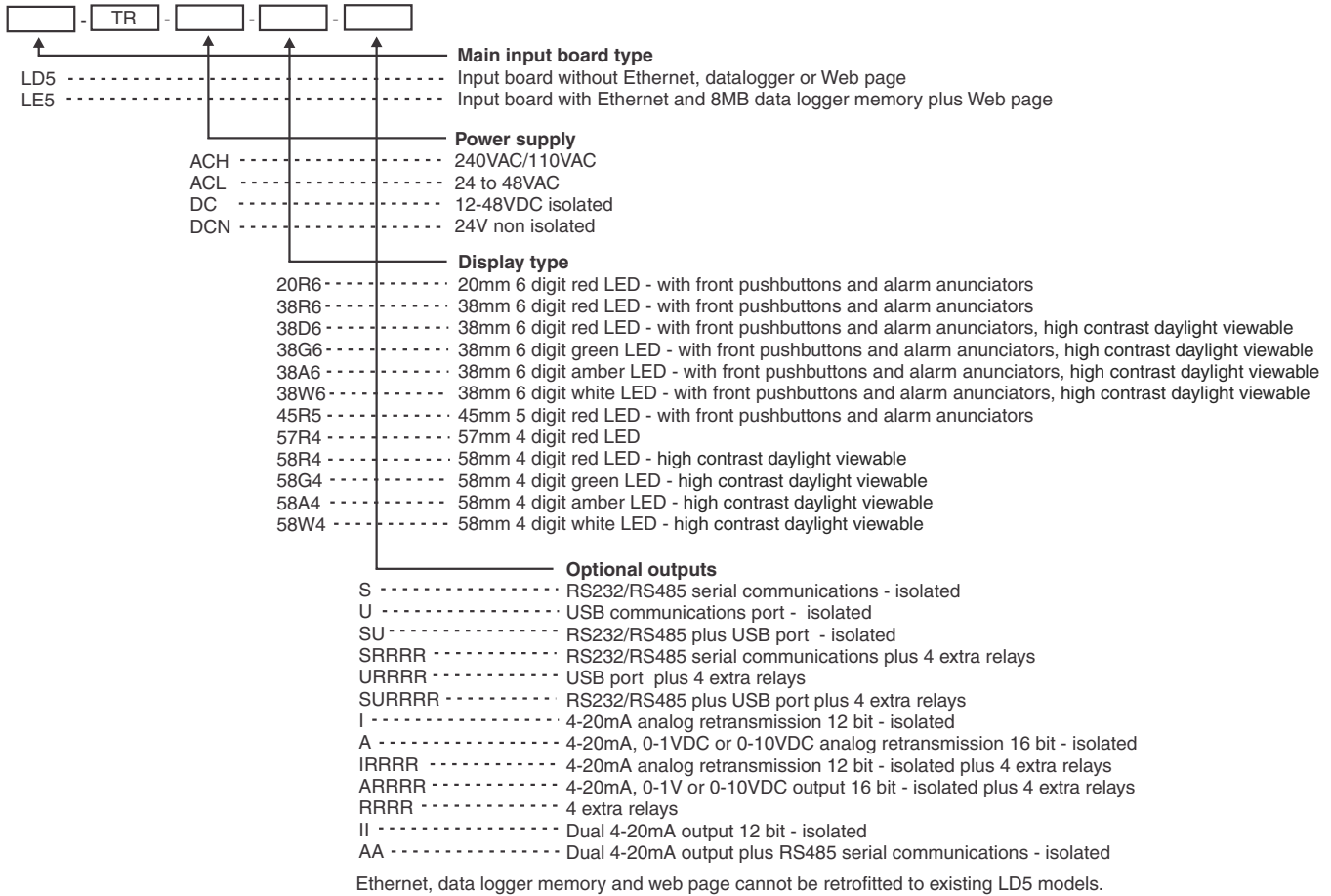
Telephone: +61 2 9476 2244
Facsimile: +61 2 9476 2902

e-mail: sales@aicpl.com.au
Internet: www.aicpl.com.au

Order codes for 20, 38, 45, 57 or 58mm displays

The last section is for optional outputs (if required).

Optional outputs are factory configured.

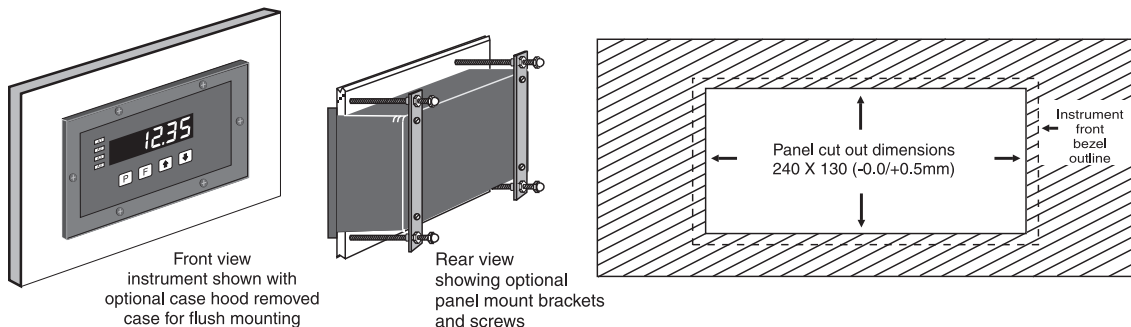


Panel mounting

The instrument is provided with removable surface (e.g.wall) mounting tabs mounting to cover most common timing requirements. A panel mount kit is optionally available which allows the instrument to be mounted in a panel cut out. If required the instrument can be optionally supplied with the front hood removed to allow a more flush panel mount fitting.

Part number for panel mount kit: LD-MTG-PM-KIT

Part number for hood removal: LD-HOOD-REMOVAL



LD5TMR3858-1.1-0

AMALGAMATED INSTRUMENT CO

ABN: 80 619 963 692

Unit 5, 28 Leighton Place Hornsby
NSW 2077 Australia

Telephone: +61 2 9476 2244
Facsimile: +61 2 9476 2902

e-mail: sales@aicpl.com.au
Internet: www.aicpl.com.au