

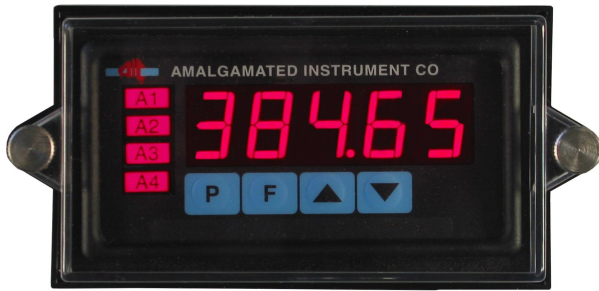
IP67 Access Cover For Panel Meters

The IP67 access cover is constructed from high impact resistant polycarbonate. This model is manufactured for use with $\frac{1}{8}$ DIN size panel meters with panel cut out of 92mm by 45mm (tolerance +1mm, -0mm).

The construction facilitates easy installation with no extra drilling or cutting required. Neoprene seals are provided for the clear window and for the panel.

Attachment is via two captive nickel plated marine brass thumbwheel screws which screw into marine brass threaded bushes. No iron is used in the construction thereby ensuring no rusting parts.

The front window is removable allowing access to front pushbuttons for setup, calibration etc. The window provides a clear transparent front and the anti scuff treated surface provides resistance to scratches.



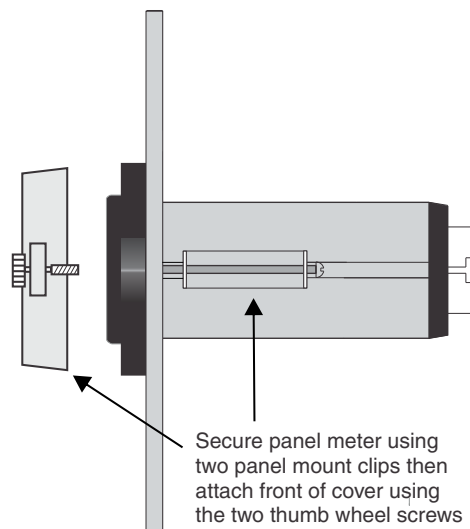
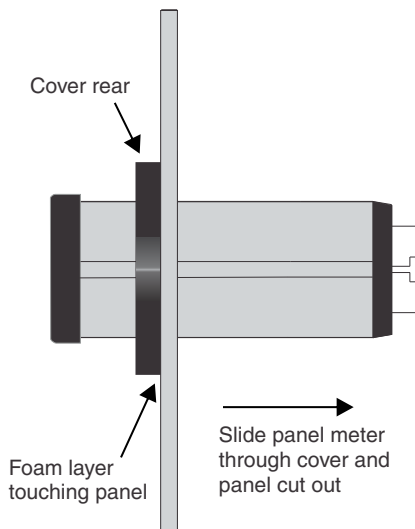
Dimensions: 130mm (max. width) x 61mm (height) x 22mm (depth)

Weight: 45 gms

Panel cut out: 92mm x 45mm (tolerance +1mm, -0mm)

Part number: COVER-PM-IP67

Installation



COVIP67-1.0-0

AMALGAMATED INSTRUMENT CO PTY LTD

ACN: 001 589 439

Unit 5, 28 Leighton Place Hornsby
NSW 2077 Australia

Telephone: +61 2 9476 2244
Facsimile: +61 2 9476 2902

e-mail: sales@aicpl.com.au
Internet: www.aicpl.com.au