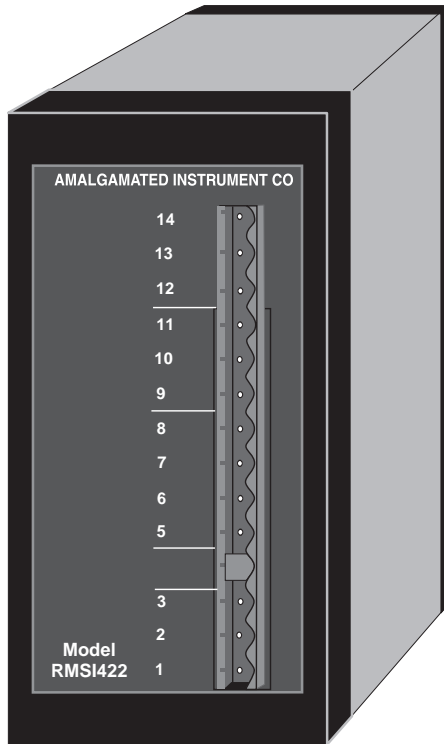


RS232 to RS485/RS422 Converters

Model RMSI422



Description

The RMSI converters are supplied in a standard DIN rail mount (35mm rail EN50022) package. Model RMSI422 is a RS232 to RS422 converter. Model RMSI485 is a RS232 to RS485 converter.

Input and output signals are fully isolated from the power supply (500V isolation) and from each other. Electrical connection is via plug in screw terminals, maximum 2.5mm wire.

Baud rates are from 300 to 38400 baud.

Dimensions:

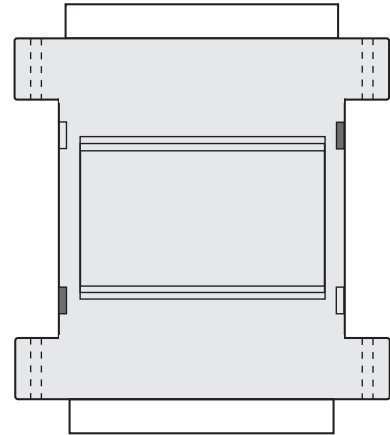
91mm (h) x 44mm (w) x 120mm (d) including front connector and DIN rail clips.

Order Code

RMSI422-240 - Powered by 240VAC
RMSI422-110 - Powered by 110VAC
RMSI422-24 - Powered by 24VAC
RMSI422-DC - Powered by 12-48VDC

RMSI485-240 - Powered by 240VAC
RMSI485-110 - Powered by 110VAC
RMSI485-24 - Powered by 24VAC
RMSI485-DC - Powered by 12-48VDC

Model PC422/PC485



Description

The PC422 and PC485 converters are supplied as a through connector, self contained package. The PC485 gives RS232 to RS485 conversion. The PC422 give RS232 to either RS485 or RS422 conversion.

Power for the units is obtained from an IBM PC or compatible RS232 port via pins 7 (GND) & 20 (+12V via DTR line). Alternatively the converters may be externally powered (9 to 12VDC), see wiring diagram overleaf. The use of an external power source is generally only required when a low power serial card is used in the computer and multiple external units are being addressed or when the serial output does not provide power.

Baud rates are from 300 to 38400 baud. The converter automatically detects the baud rate being used.

Connection at the RS232 end is via a 25 way female "D" connector. At the RS485/RS422 ends the connector is a 25 way male "D" connector.

Operation mode and setup selections are made via circuit board links.

Dimensions:

63mm (h) x 56mm (w) x 16mm (d)

Order Code:

RS232 to RS485/RS422	PC422
RS232 to RS485	PC485

Models PC422 and RMSI422 are ideal for use in connecting two RS232 devices together over extended cable lengths (up to 1200 metres)

RS232422-2.0-0

AMALGAMATED INSTRUMENT CO PTY LTD

ACN: 001 589 439

Unit 5, 28 Leighton Place Hornsby
NSW 2077 AUSTRALIA

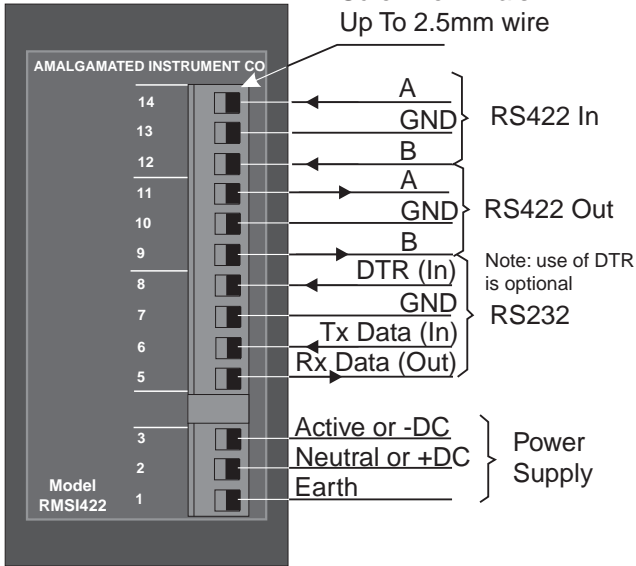
Telephone: +61 2 9476 2244
Facsimile: +61 2 9476 2902

e-mail: sales@aicpl.com.au
Internet: www.aicpl.com.au

Electrical Connections For RMSI422, RMSI485, PC485 and PC422

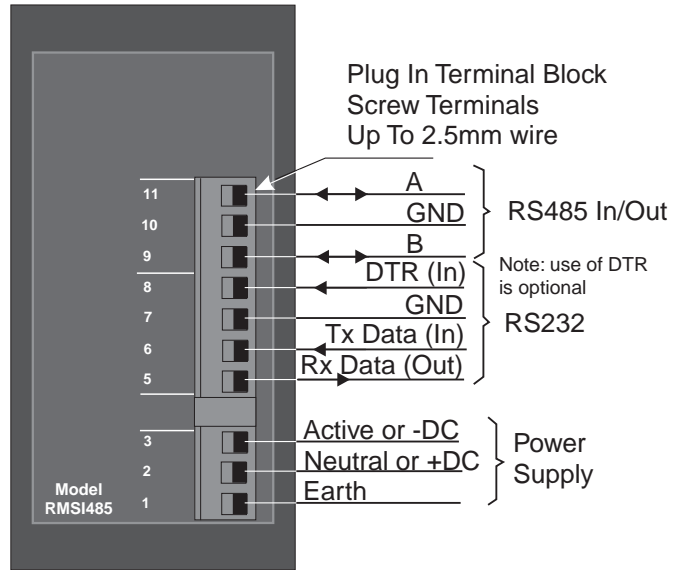
Model: RMSI422

Plug In Terminal Block
Screw Terminals
Up To 2.5mm wire

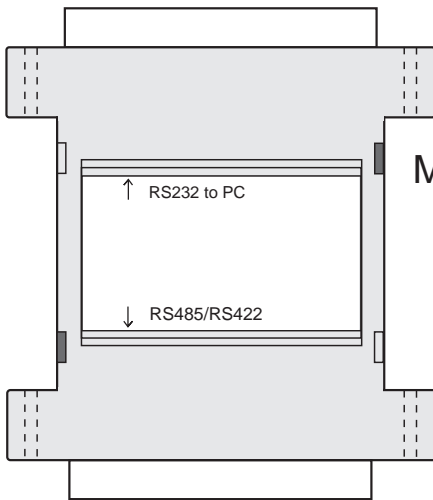


Model: RMSI485

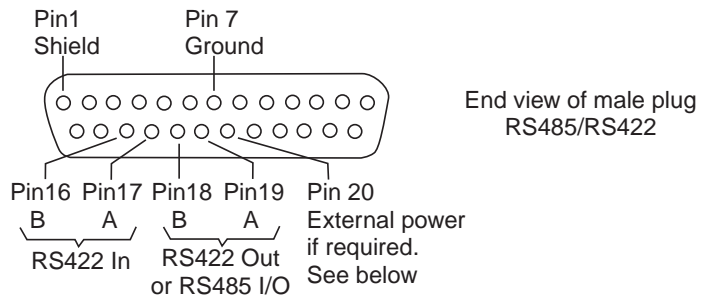
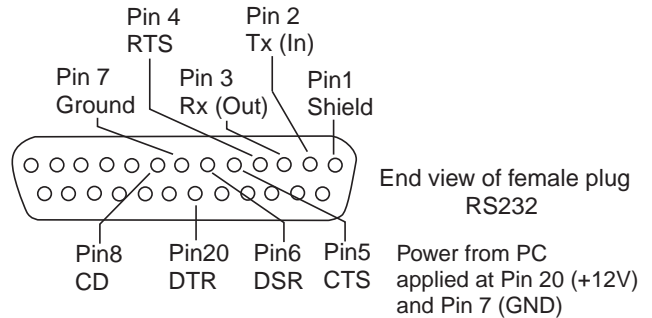
Plug In Terminal Block
Screw Terminals
Up To 2.5mm wire



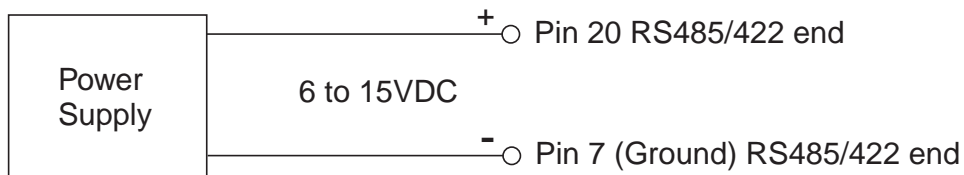
Female End RS232
Connects To PC



Male End RS485/422



The PC422 & PC485 are normally powered from the computer port. If required the converters may be externally powered. Connections for externally powering the units are shown below.



Note: Power supply must be regulated, voltage range 6-15VDC.