

Panel Mount Datalogger Module

PM5 internal datalogger option

Features

- 8 Mbyte capacity
- Ethernet plus either RS232 or RS485 serial comms. also extra relay optional
- Logging rates from 1/sec to 1/hour (selectable)
- Software setup
- Setup, logging & display software included
- Available as a plugin option to PM5 monitors (fitted into panel meter case)
- 2 year guarantee

Order Codes

PM5-OPT-ETDL	Ethernet + RS232/RS485
PM5-OPT-ETDLR	Ethernet + RS232/RS485 + extra relay



Description

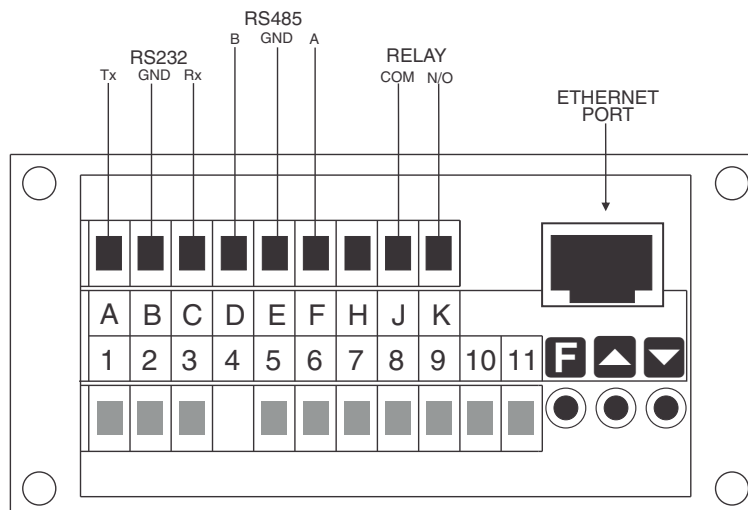
The model PM5 datalogger option allows communication on Ethernet or either RS232 or RS485 communication links. Both RS232 and RS485 are fitted to the board but only one can be used at one time. Windows based software (will not operate with Vista), provided with the datalogger allows for easy set up and control of the datalogging. Downloaded log files can be exported in a format compatible with most database programs such as Excell. Indicator LEDs show when a connection is established (solidly lit light) and when data is present on the line (flashing light), light colours may vary as no standard colours exist. These LEDs are located in the ethernet socket housing.

Specifications

Technical Specifications

Input types:	Ethernet plus RS232 and RS485 Note RS232 and RS485 are both available but only one at a time can be used
Datalogging rate:	1 sample/sec to 1 sample/hour (selectable)
Output:	Optional extra relay, form A rated at 5A, 240VAC into a resistive load
Memory:	Minimum 8M Byte
Number of records:	Depends on PM5 display model, typically 500,000 records for 2 channel recording
Ambient temp:	-10°C to 60°C
Humidity:	5% to 95% non condensing
Power supply:	Powered from the PM5 display

Rear terminal wiring



PM5DL-1.0-0

AMALGAMATED INSTRUMENT CO PTY LTD

ACN: 001 589 439

Unit 5, 28 Leighton Place Hornsby
NSW 2077 Australia

Telephone: +61 2 9476 2244
Facsimile: +61 2 9476 2902

e-mail: sales@aicpl.com.au
Internet: www.aicpl.com.au