

SG-LPCH Series

High Accuracy Universal Load Cell

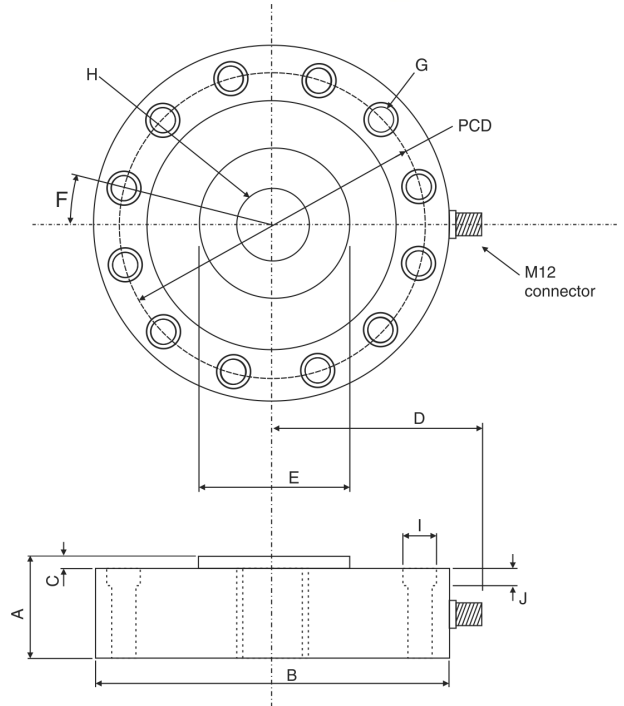
Features

- Capacities 1 Tonne to 100 Tonne
- Steel alloy construction
- IP67 rating
- Rugged with high overload capacity
- Individually calibrated
- Simple installation
- M12 connector supplied (cable available separately)



Description

The LPCH is fitted with an industry standard M12 sensor connector with IP67 sealing and is supplied with a straight mating connector. The connector simplifies installation and maintenance and a cable type and length to suit the requirements of the installation can be selected from the cable packs offered by PT. Six wire cables should be installed by connecting the Sense+ with the Excitation+ to terminal 1 and the Sense- with the Excitation- to terminal 2 inside the connector.



Specifications

Capacities:	1 tonne to 100 tonne
Nominal output at capacity:	$2 \pm 0.01\text{mV/V}$
Linearity error:	$<0.020\%$ FSO
Non-repeatability:	$<0.020\%$ FSO
Creep (30 mins):	$<0.020\%$ FSO
Temp effect span/ 10°C :	$<0.020\%$ FSO
Temp effect zero/ 10°C :	$<0.020\%$ capacity
Compensated temp. range:	-10°C to $+50^{\circ}\text{C}$
Safe load:	150% of capacity
Safe side load:	100% of axial load
Mechanical failure:	300% of capacity
Resistance:	Input $750 \pm 5 \Omega$, output $700 \pm 3\Omega$
Recommended excitation:	5V - 15V AC/DC
Maximum excitation:	20VDC
Environmental protection:	IP67

Order Code

SG-LPCH-1T	Range 0 to 1 tonne
SG-LPCH-2.5T	Range 0 to 2.5 tonne
SG-LPCH-5T	Range 0 to 5 tonne
SG-LPCH-10T	Range 0 to 10 tonne
SG-LPCH-25T	Range 0 to 25 tonne
SG-LPCH-50T	Range 0 to 50 tonne
SG-LPCH-100T	Range 0 to 100 tonne

Capacity	A	B	C	D	E	F	G	H	I	J	Weight
1 tonne	35	105	3	65	32	22.5°	8 holes 7.2 dia PCD 88.9	$\frac{5}{8}''$ - 18UNF	10.5	8.5	1.6
2.5 tonne	35	105	3	65	32	22.5°	8 holes 7.2 dia PCD 88.9	$\frac{5}{8}''$ - 18UNF	10.5	8.5	1.6
5 tonne	35	105	3	65	32	22.5°	8 holes 7.2 dia PCD 88.9	$\frac{5}{8}''$ - 18UNF	10.5	8.5	1.6
10 tonne	44.5	155	3	90	65	15°	12 holes 10.5 dia PCD 130.2	$1-\frac{1}{4}''$ - 12UNF	17	10	4.7
25 tonne	44.5	155	3	90	65	15°	12 holes 10.5 dia PCD 130.2	$1-\frac{1}{4}''$ - 12UNF	17	10	4.7
50 tonne	63.5	205	6.5	115	95	11.25°	16 holes 13.5 dia PCD 165.1	$1-\frac{3}{4}''$ - 12UNF	20	13	11.7
100 tonne	90	280	13	152	125	11.25°	16 holes 17.5 dia PCD 228.6	$2-\frac{3}{4}''$ - 8UNF	25	16	29.5

Dimensions in millimetres and kg unless noted. Electrical connections: Ex+ Pin1, Ex- Pin 2, Signal + Pin 4, Signal - Pin 3 Use 6 wire cable and connect Sense + to Pin 1 and Sense - to Pin 2

LPCH-1.0-0

AMALGAMATED INSTRUMENT CO PTY LTD

ACN: 001 589 439

Unit 5, 28 Leighton Place Hornsby
NSW 2077 Australia

Telephone: +61 2 9476 2244
Facsimile: +61 2 9476 2902

e-mail: sales@aicpl.com.au
Internet: www.aicpl.com.au