

SG-PT5000

Precision Transducers model SG-PT5000
Shearbeam load cell



Capacity (Metric)	Order Code	Capacity (Imperial)	Order Code
0-250kg	SG-PT5000-250	0-500lb	SG-PT5000-500LB
0-500kg	SG-PT5000-500	0-1000lb	SG-PT5000-1KLB
0-1t	SG-PT5000-1T	0-2500lb	SG-PT5000-2K5LB
0-2t	SG-PT5000-2T	0-4000lb	SG-PT5000-4KLB
0-2.5t	SG-PT5000-2.5T	0-5000lb	SG-PT5000-5KLB
0-5t	SG-PT5000-5T	0-10000lb	SG-PT5000-10KLB

Features:

- **Capacities: 0-250kg to 0-5t & 0-500lbs to 0-10,000lbs**
- **Low profile design**
- **Alloy tool steel construction**
- **Environmental protection to IP67**
- **Low sensitivity to off-centre loading**

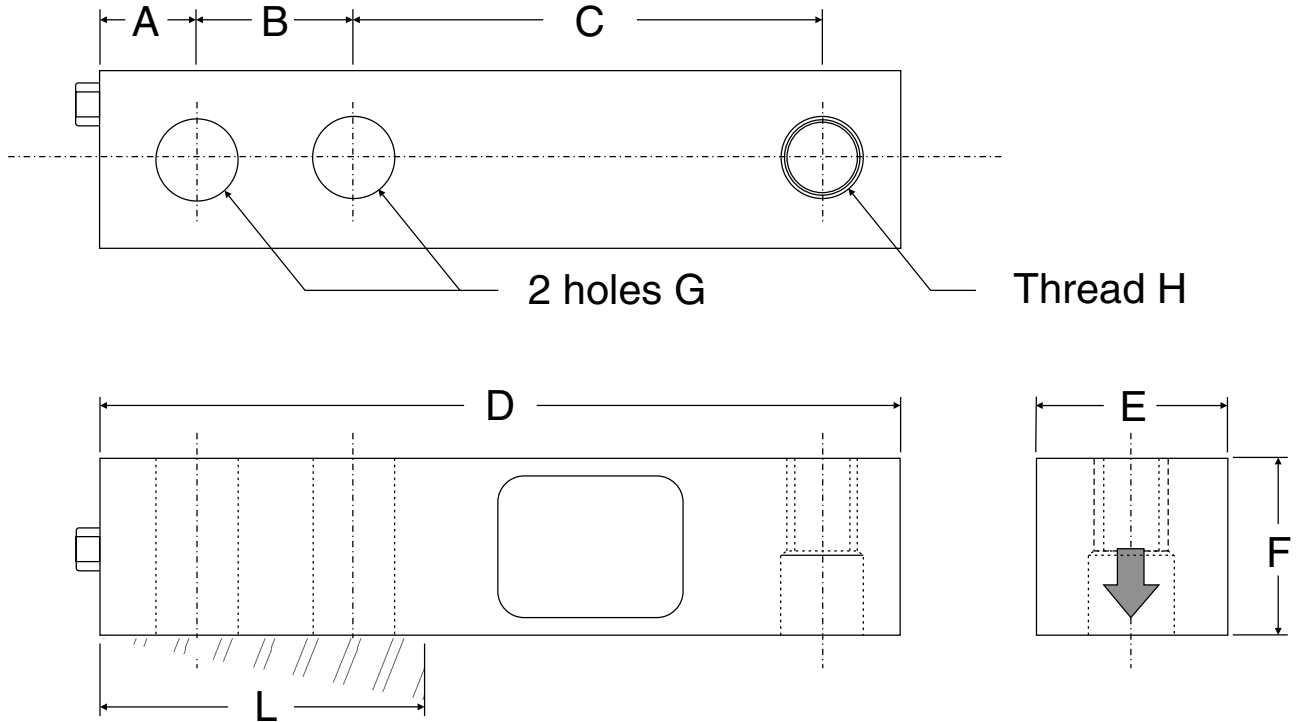
Applications:

- **Floor scales**
- **Hoppers**
- **Silos**
- **Bins**
- **Tanks**

Nominal Capacity	0-250kg to 0-5t 0-500lbs to 0-10,000lbs
Nominal Output at capacity	3mV/V \pm 0.1%
Linearity error	<0.017% FSO
Repeatability	<0.01% FSO
Creep/Zero return (30 mins)	<0.023%/0.017% FSO
Temp effect on span/10°C	<0.010% FSO
Temp effect on zero/10°C	<0.015% Capacity
Insulation resistance	>5000M Ω at 100VDC
Compensated temperature range	-10° to 40°C 14° to 104°F
Operating Temperature Range	-18°C to 65°C 0°F to 150°F
Input resistance	415 Ω \pm 15 Ω
Output resistance	352 Ω \pm 3 Ω
Service load	100% of capacity
Safe load	150% of capacity
Ultimate Failure	300% of capacity
Recommended excitation	5V to 15VDC
Maximum Excitation	18VDC
Environmental protection	IP67
Construction	Alloy tool steel
Cable type	4 conductor screened, 24AWG
Cable length	20ft/6metres



SG-PT5000 Specifications



Cabling:	
Red	+ve Excitation
Black	-ve Excitation
Green	+ve Signal
White	-ve Signal

Capacity	A	B	C	D	E	F	G	H	L	Deflection	Weight
Imperial Models (Measurements in inches)											
500lbs	0.63	1.0	3.00	5.12	1.25	1.25	0.53	½"-20 UNF-2B, 0.53 dia. x 0.50 deep C'bore	2.25	0.013	1.7lb
1K - 4K lbs	0.63	1.0	3.00	5.12	1.25	1.25	0.53	½"-20 UNF-2B, 0.53 dia. x 0.62 deep C'bore	2.25	0.017 - 0.025	4.0lb
5K - 10K lbs	0.75	1.5	3.75	6.75	1.50	1.50	0.78	¾"-16 UNF-2B, 0.78 dia. x 0.75 deep C'bore	3.00	0.025 - 0.035	6.5lb
Metric Models (Measurements in mm)											
250kg	16.0	25.4	76.2	130.0	32.0	32.0	13.5	M12 x 1.75-6H, 13.5 dia x 16.0 deep C'bore	57.2	0.33	0.8kg
500kg - 2t	16.0	25.4	76.2	130.0	32.0	32.0	13.5	M12 x 1.75-6H, 13.5 dia x 16.0 deep C'bore	57.2	0.432 - 0.635	1.8kg
2.5t - 5t	19.0	38.1	95.3	171.5	38.1	38.1	20.5	M18 x 2.5-6H, 20.5 dia x 16.0 deep C'bore	76.2	0.635 - 0.889	2.9kg